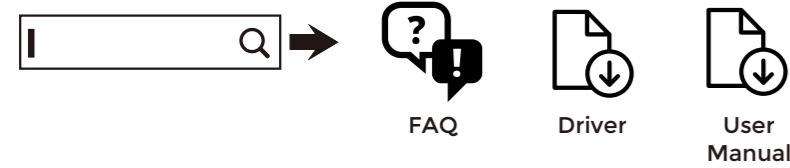


Find your product and get support



Product information for EU/UK Energy

H41G25M161539A

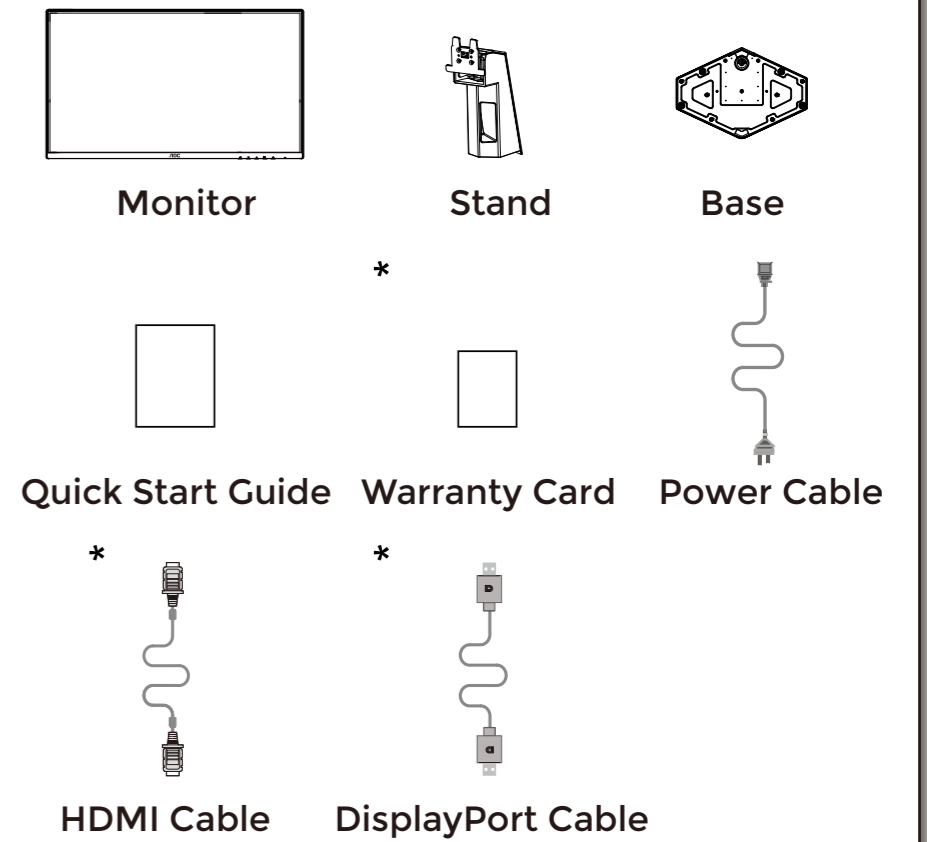
AOC GAMING



QUICK START GUIDE 25G4SRE AOC GAMING MONITOR

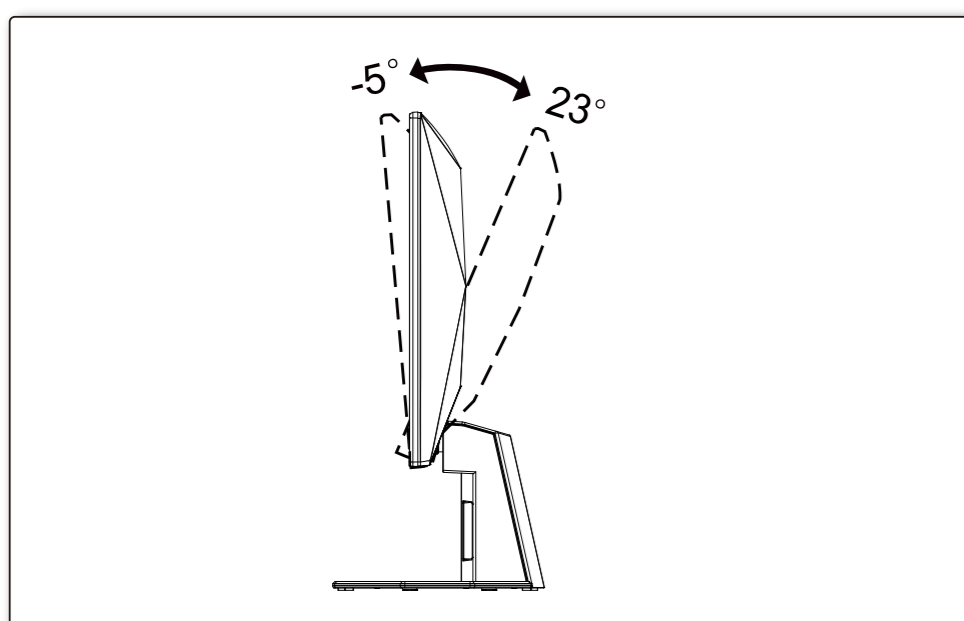
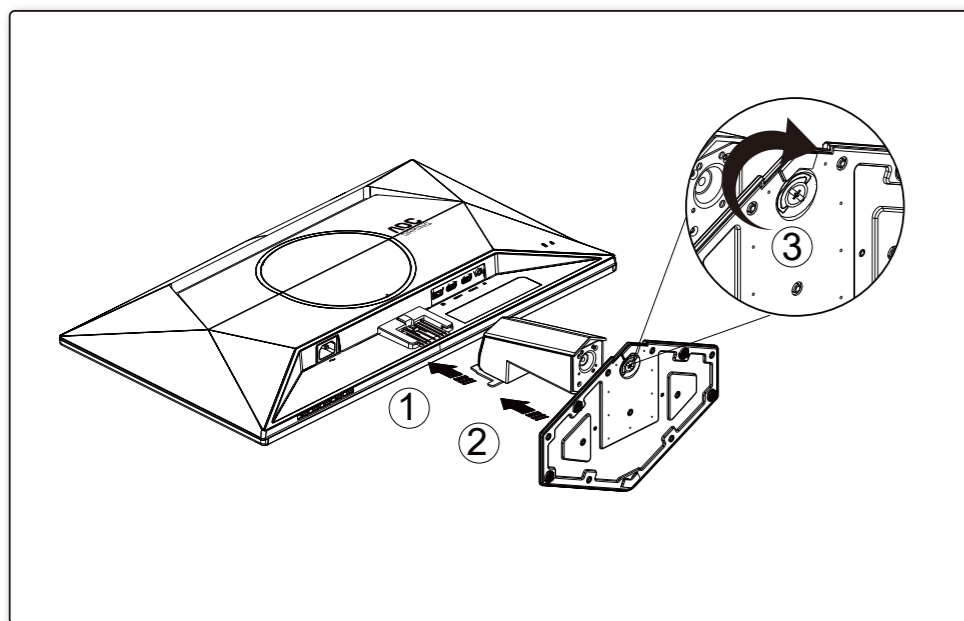
©2025 AOC. All rights reserved

WWW.AOC.COM

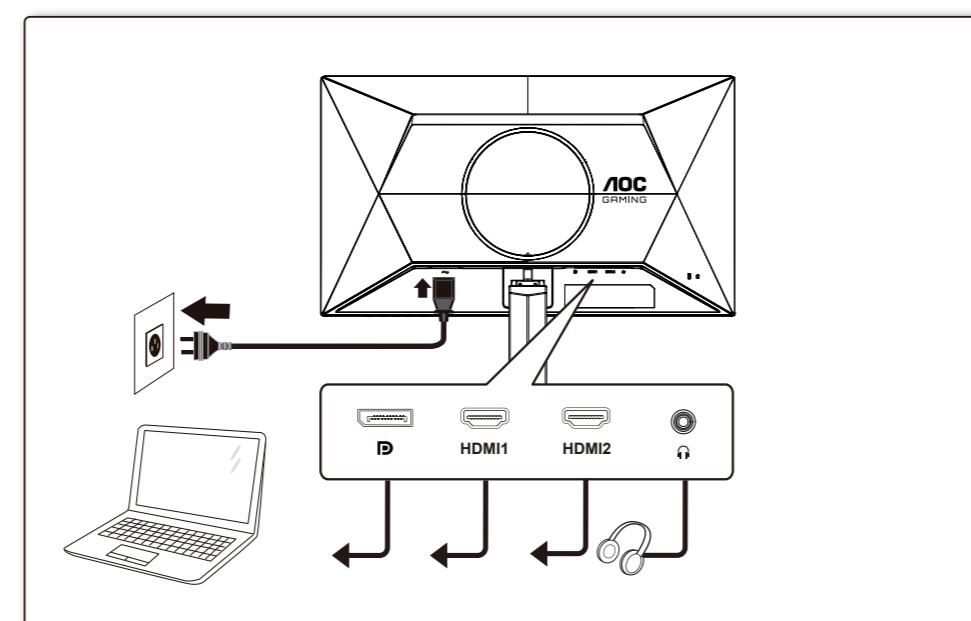
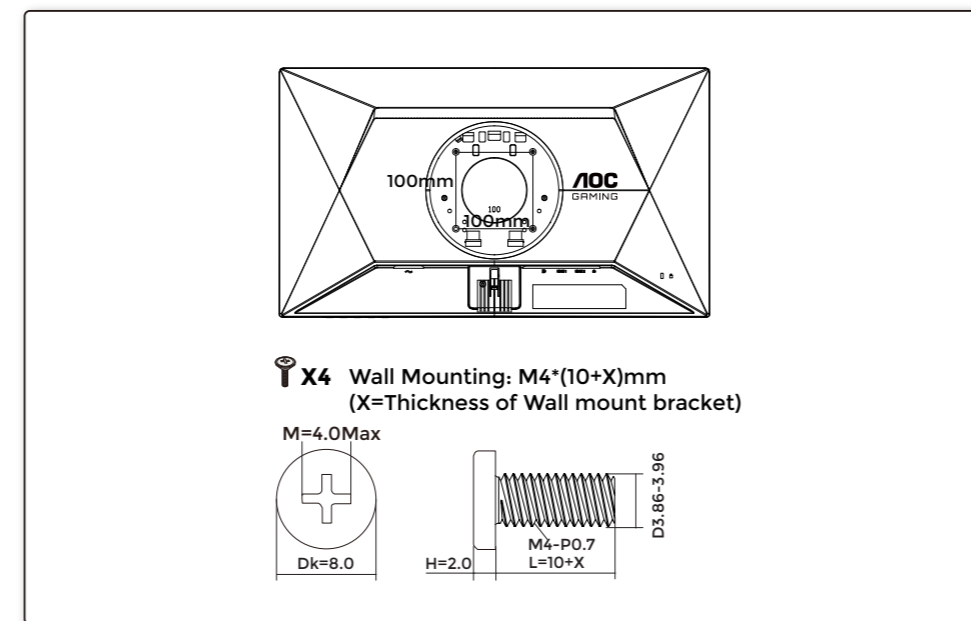


*Different according to countries/regions
Display design may differ from that illustrated

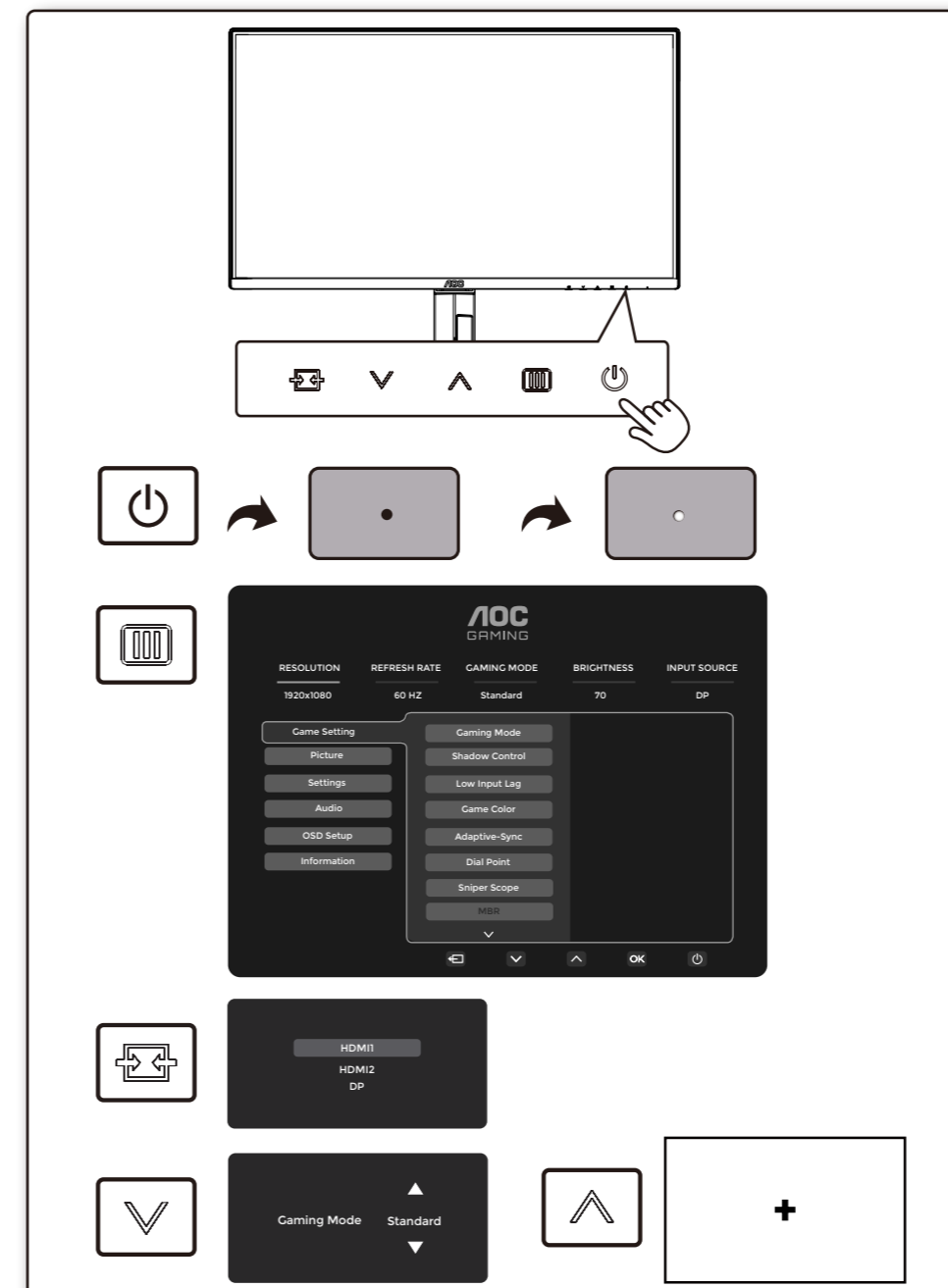
1



2



3



4

General Specification

Panel	Model Name	25G4SRE		
	Driving System	TFT Color LCD		
	Viewable Image Size	62.2cm Diagonal (24.5" Wide Screen)		
	Pixel Pitch	0.2832mm(H)x0.2802mm(V)		
Others	Horizontal Scan Range	30k~280kHz(HDMI) 30k~350kHz(DisplayPort)		
	Horizontal Scan Size(Maximum)	543.744mm		
	Vertical Scan Range	48~240Hz(HDMI) 48~310Hz(DisplayPort)		
	Vertical Scan Size(Maximum)	302.616mm		
	Max Resolution	1920x1080@240Hz(HDMI) 1920x1080@310Hz*(DisplayPort)		
	Plug & Play	VESA DDC2B/CI		
	Power Source	100-240V~ 50/60Hz 1.5A		
	Power Consumption	Typical(Default Brightness And Contrast)	30W	
		Max. (Brightness = 100, Contrast =100)	≤ 50W	
		Standby Mode	≤ 0.5W	
Physical Characteristics	Dimensions(with stand)	560.1x438.4x194.1mm (WxHxD)		
	Net Weight	3.66kg		
Environmental	Temperature	Operating	0°C~40°C	
		Non-Operating	-25°C~55°C	
Humidity	Operating	10%~85% (Non-Condensing)		
	Non-Operating	5%~93% (Non-Condensing)		
Altitude	Operating	0m~5000m (0ft~16404ft)		
	Non-Operating	0m~12192m (0ft~40000ft)		

*:Overclocking is achieved when resolution is at 1920x1080@310Hz. If any display error occurs during overclocking, please adjust the refresh rate to 300Hz.