

## Find your product and get support



Product information for EU/UK Energy



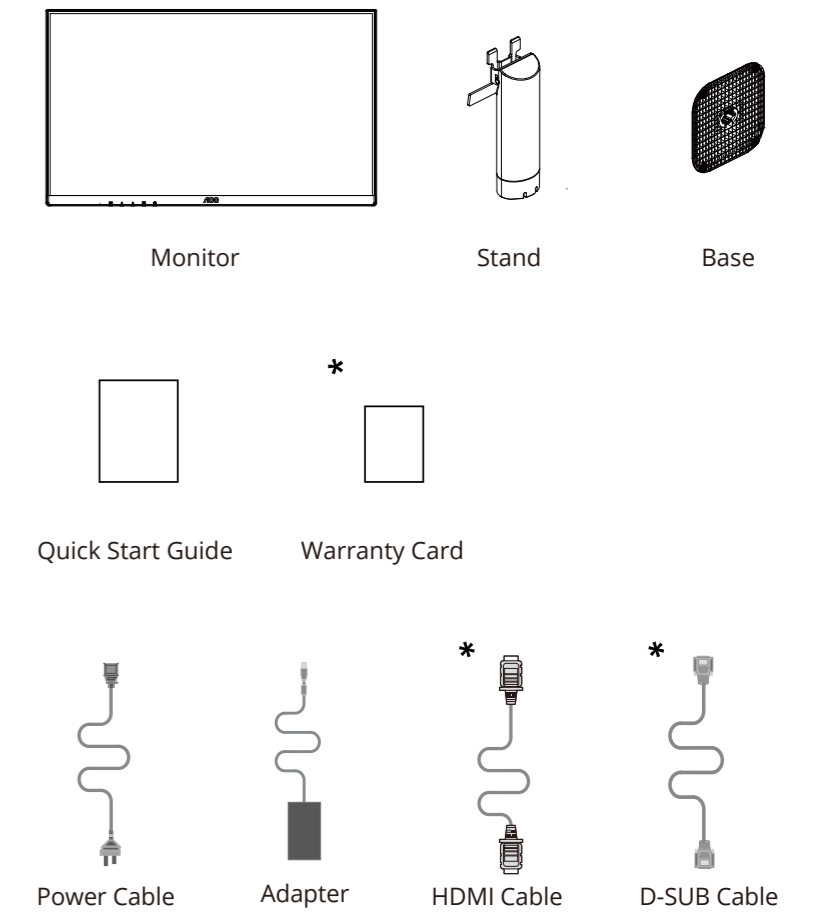
# AOC



## Quick Start Guide

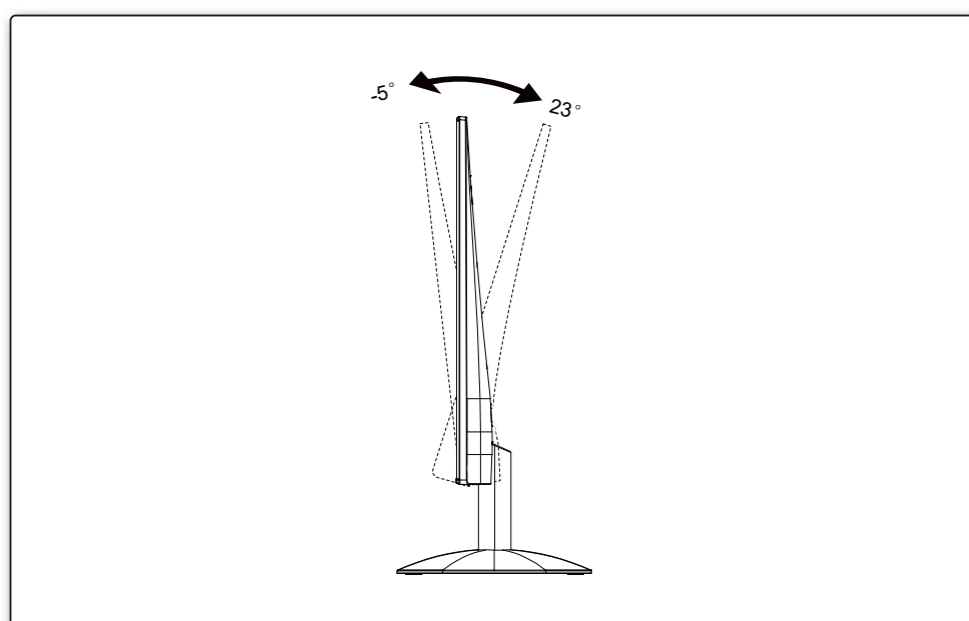
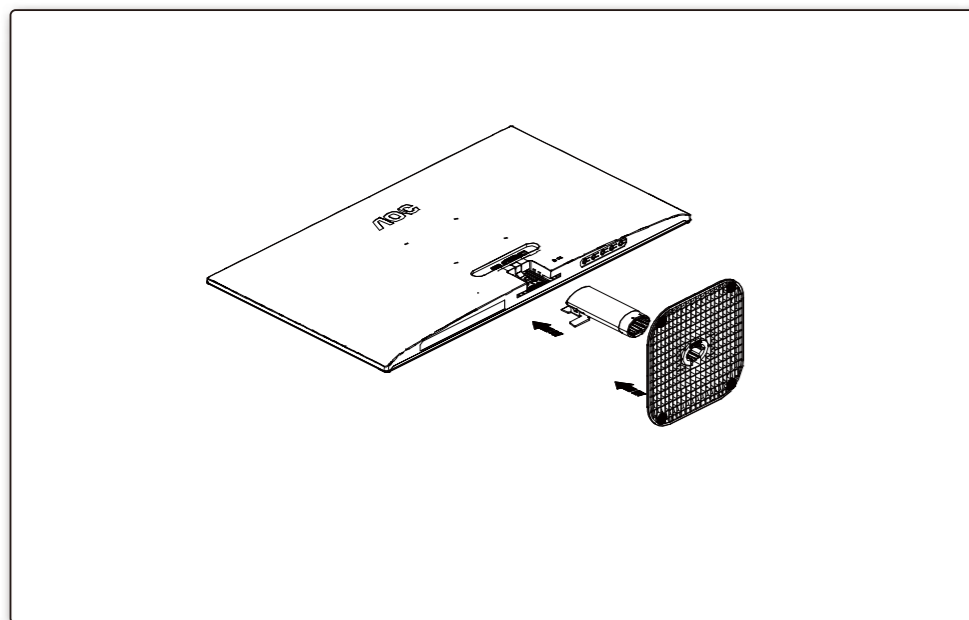
27B35HM

www.aoc.com  
©2024 AOC.All Rights Reserved

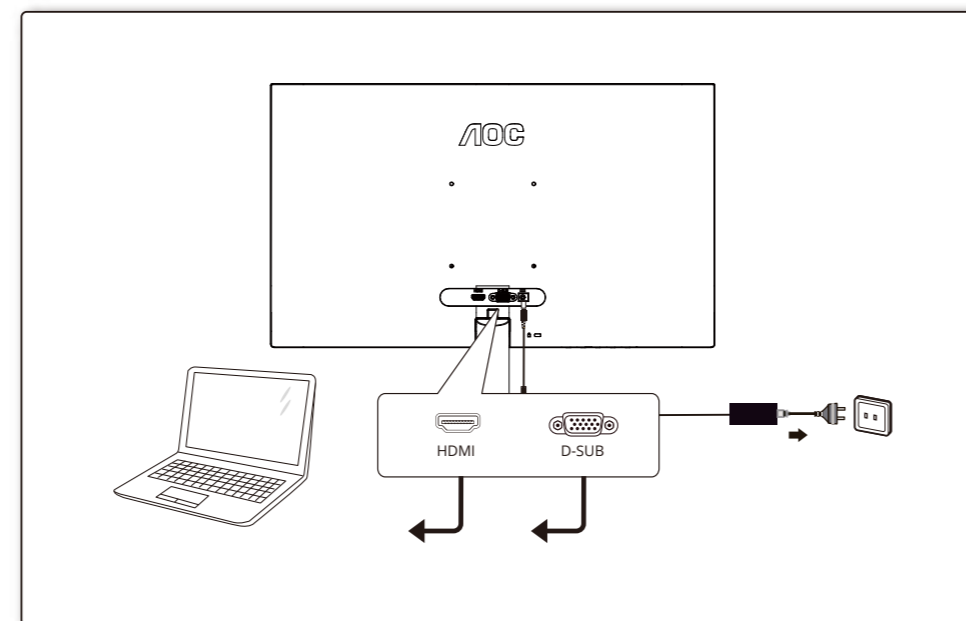
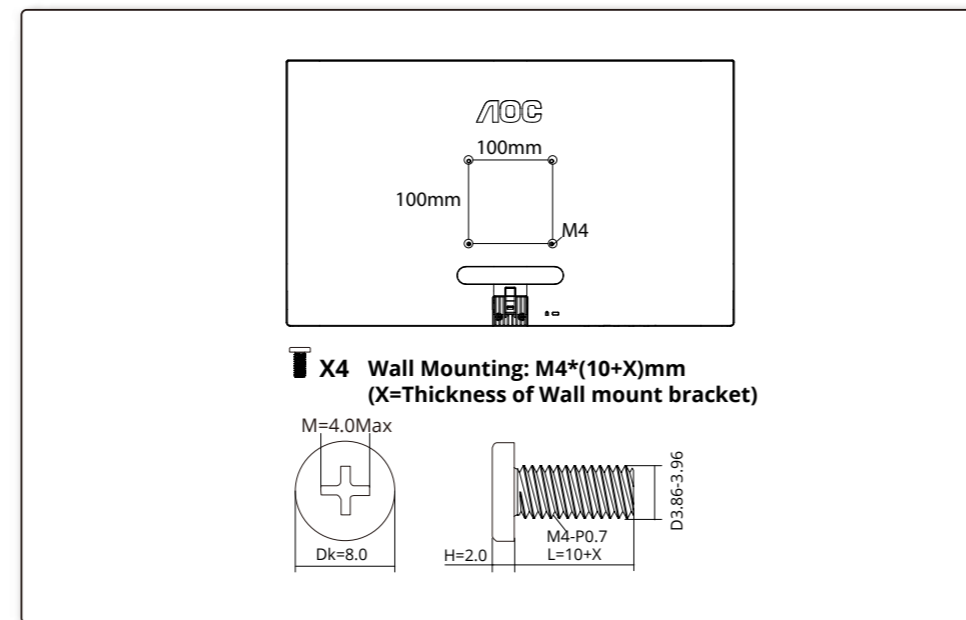


\*Different according to countries/regions  
Display design may differ from that illustrated

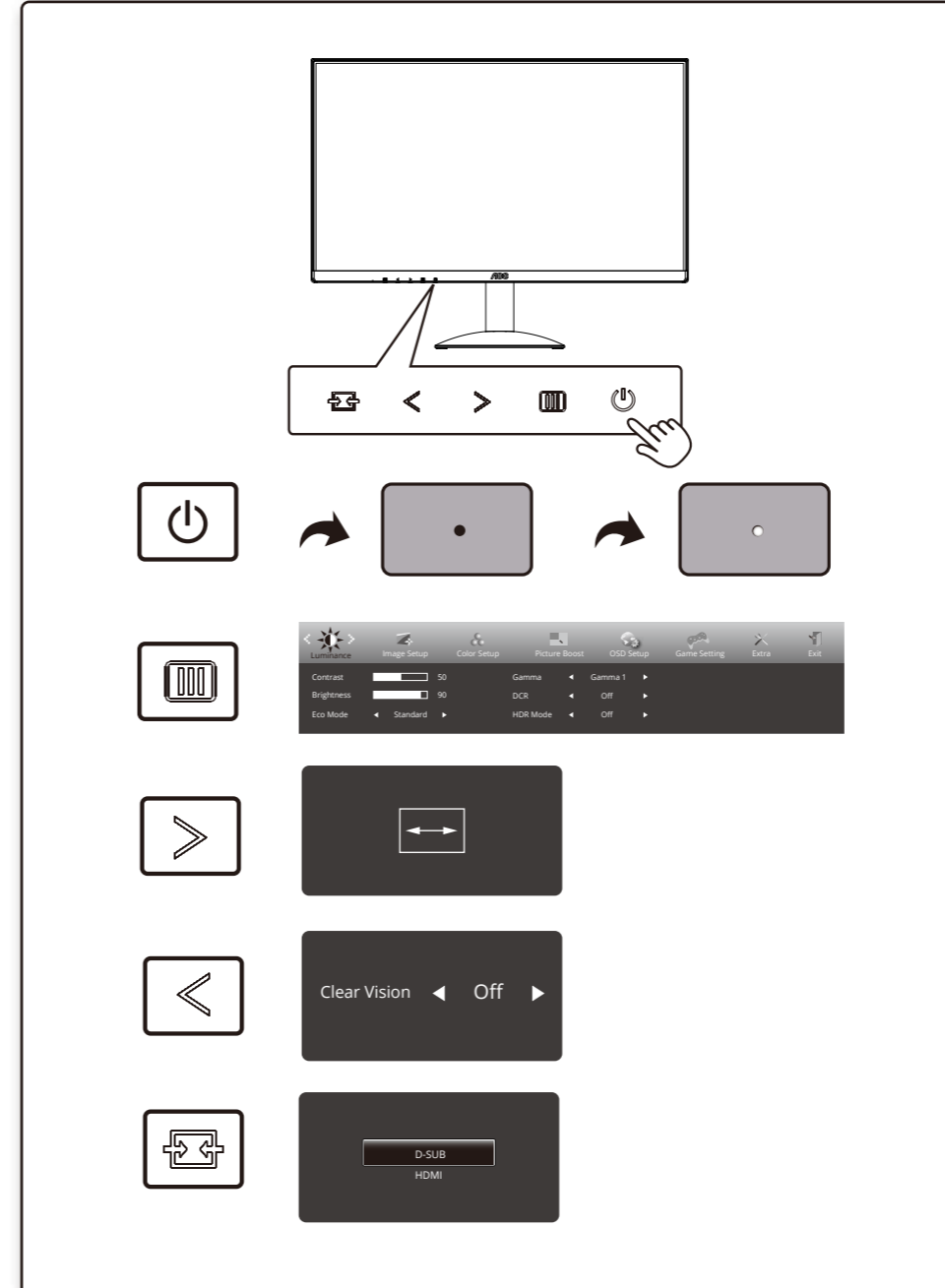
1



2



3



4

### General Specification

Panel	Model Name	27B35HM		
	Driving System	TFT Color LCD		
	Viewable Image Size	68.6cm diagonal (27" Wide Screen)		
	Pixel Pitch	0.3114mm(H) x 0.3114mm(V)		
Others	Horizontal Scan Range	30k-85kHz (D-SUB) 30k-115kHz (HDMI)		
	Horizontal Scan Size(Maximum)	597.888mm		
	Vertical Scan Range	48-75Hz (D-SUB) 48-100Hz (HDMI)		
	Vertical Scan Size(Maximum)	336.312mm		
	Max Resolution	1920x1080@75Hz (D-SUB) 1920x1080@100Hz (HDMI)		
	Plug & Play	VESA DDC2B/CI		
	Power Source	19V 1.31A		
	Power Consumption	Typical (default brightness and contrast)	20W	
		Max. (brightness =100, contrast =100)	≤ 25W	
		Standby mode	≤ 0.3W	
	Dimensions(with stand)	614.5x451.8x191.9mm (WxHxD)		
	Net Weight	3.05kg		
Physical Characteristics	Connector Type	HDMI, D-SUB		
	Signal Cable Type	Detachable		
Environmental	Temperature	Operating	0°C~40°C	
		Non-Operating	-25°C~55°C	
	Humidity	Operating	10%~85% (non-condensing)	
		Non-Operating	5%~93% (non-condensing)	
Altitude	Operating	0m~5000m (0ft~16404ft)		
	Non-Operating	0m~12192m (0ft~40000ft)		