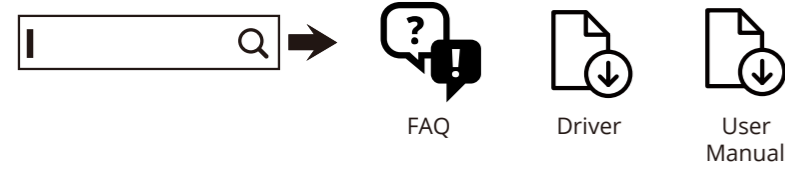


Find your product and get support



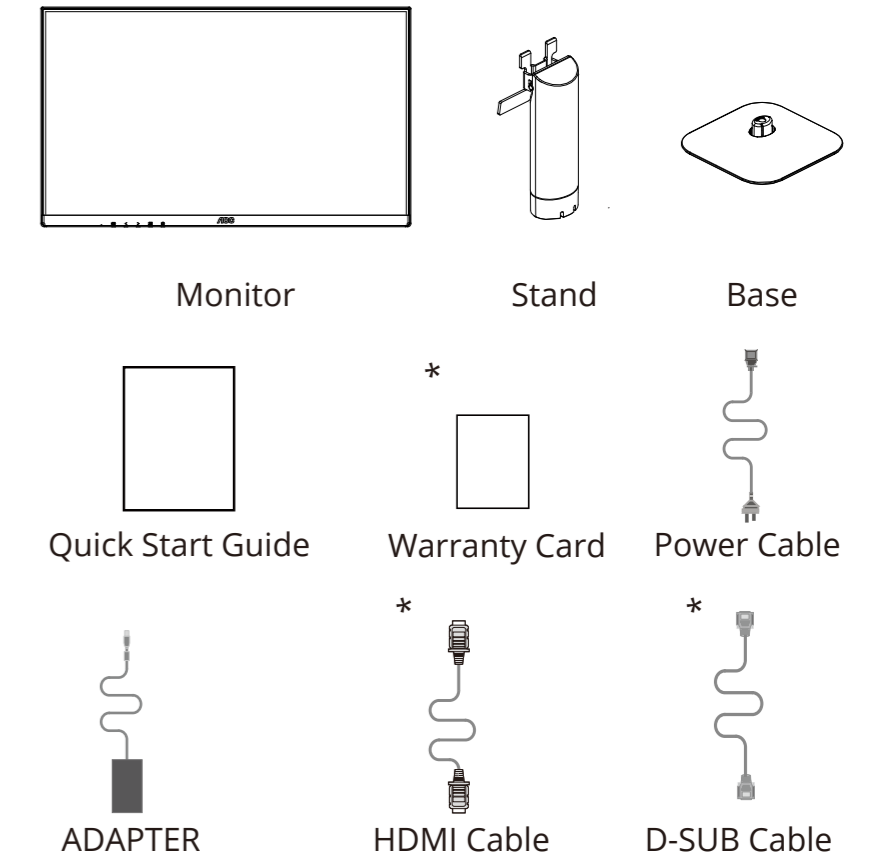
AOC



Quick Start Guide 24B35HM2

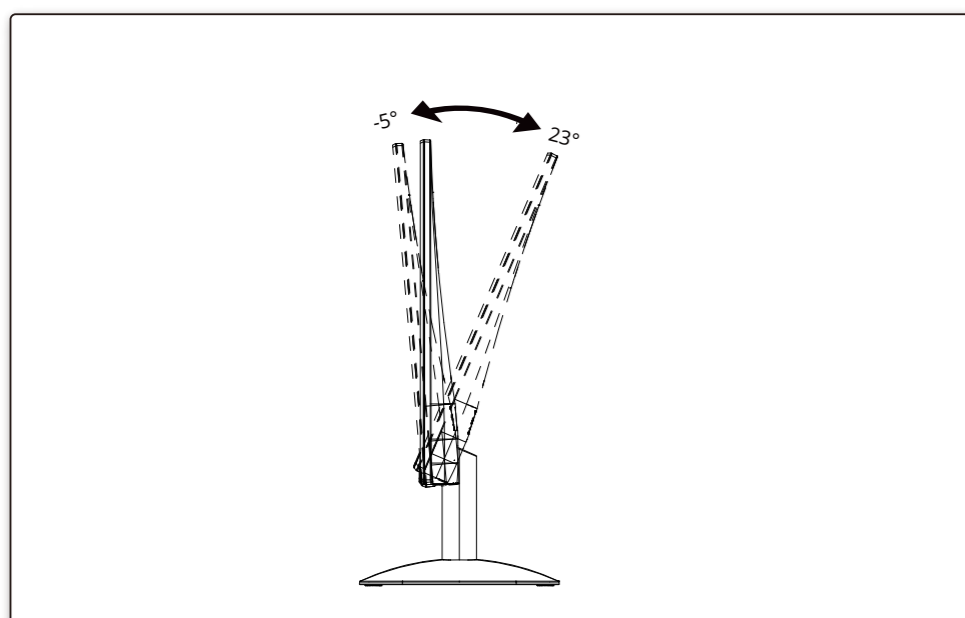
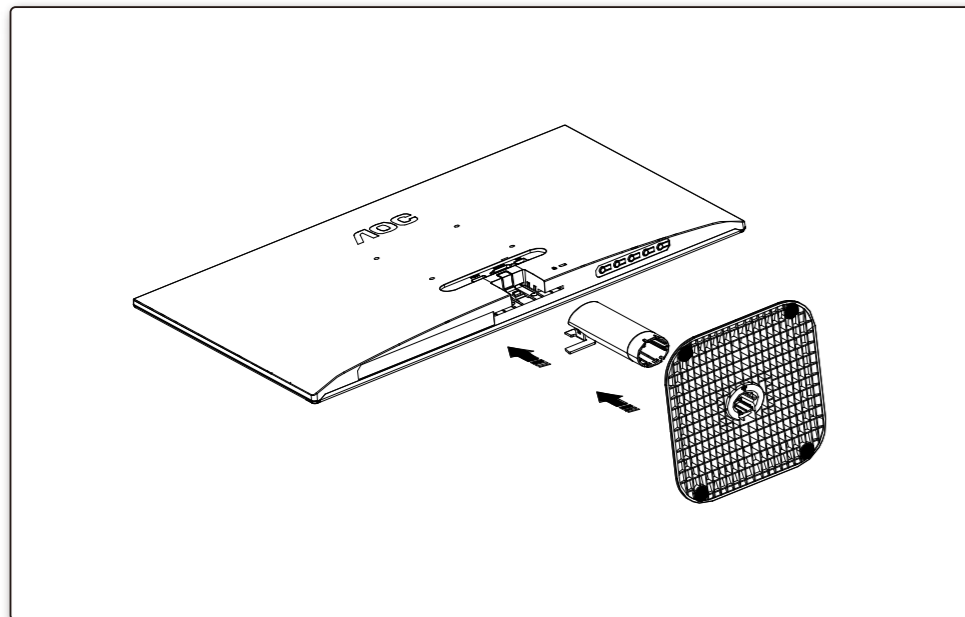
www.aoc.com
©2023 AOC.All Rights Reserved

HDMI
HIGH-DEFINITION MULTIMEDIA INTERFACE

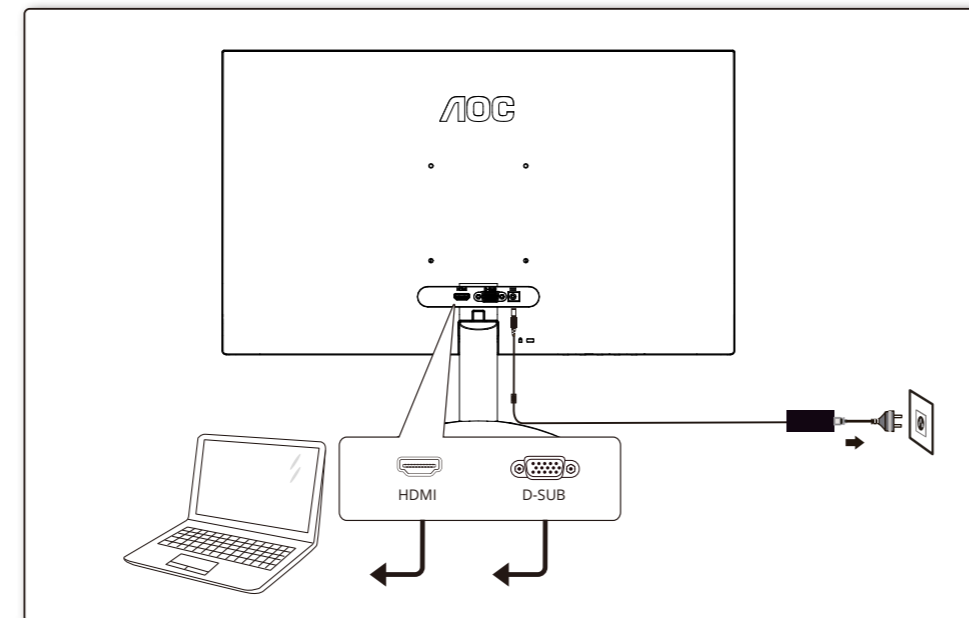
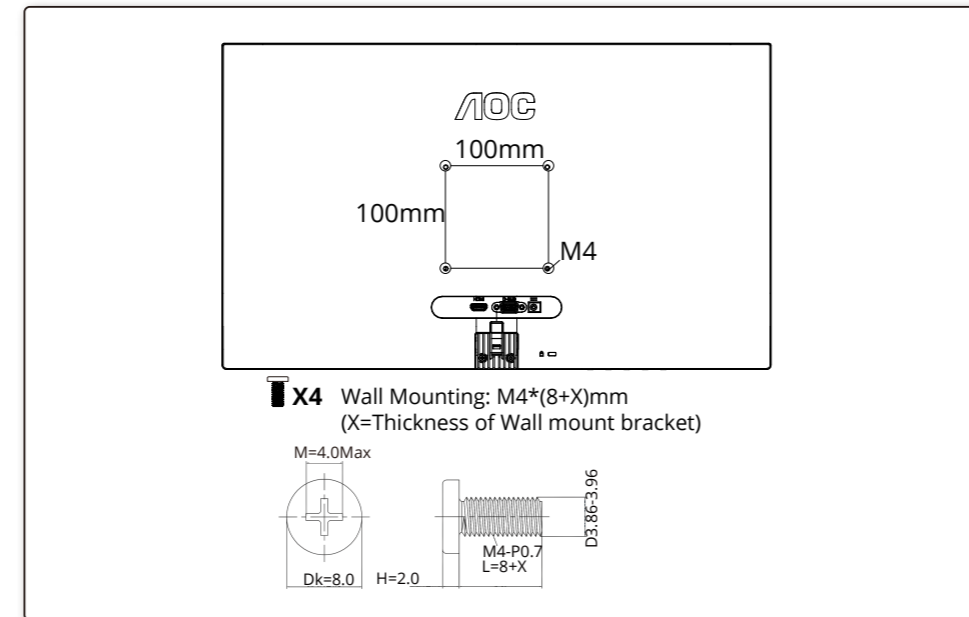


*Different according to countries/regions
Display design may differ from that illustrated

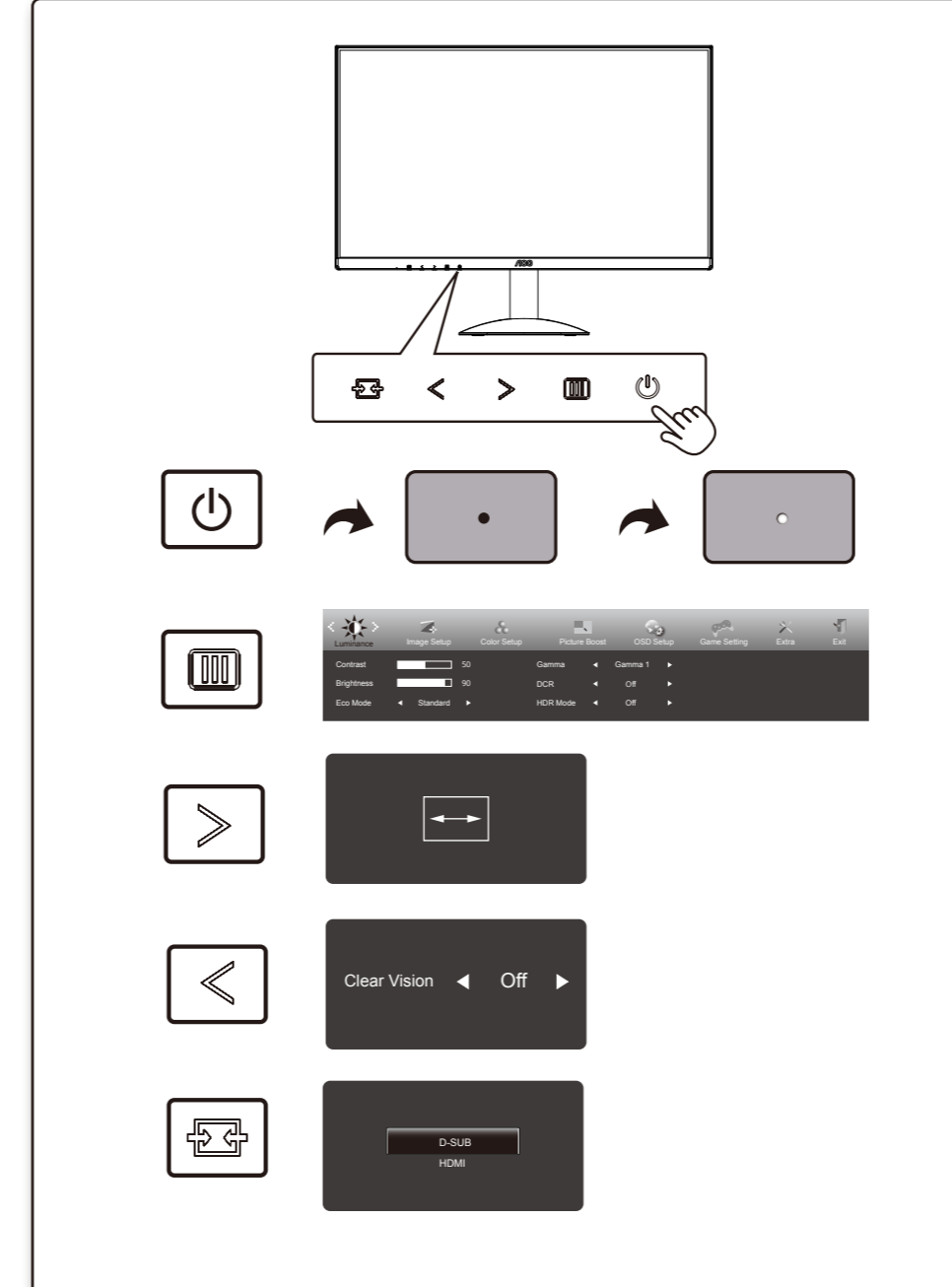
1



2



3



4

General Specification

Panel	Model Name	24B35HM2	
	Driving System	TFT Color LCD	
	Viewable Image Size	60.5cm Diagonal(23.8" Wide Screen)	
Others	Pixel Pitch	0.2745mm(H) x 0.2745mm(V)	
	Horizontal Scan Range	30k-85kHz(D-SUB)	
		30k-115kHz(HDMI)	
	Horizontal Scan Size(Maximum)	527.04mm	
	Vertical Scan Range	48-75Hz(D-SUB)	
		48-100Hz(HDMI)	
	Vertical Scan Size(Maximum)	296.46mm	
	Max Resolution	1920x1080@75Hz(D-SUB)	
		1920x1080@100Hz(HDMI)	
	Plug & Play	VESA DDC2B/CI	
Power Source	19 1.31A		
Power Consumption	Typical(Default Brightness And Contrast)	20W	
	Max. (Brightness = 100, Contrast = 100)	≤ 25W	
	Standby Mode	≤ 0.3W	
Dimensions(with stand)	540.6x415.4x185.9mm(WxHxD)		
Net Weight	2.47kg		
Physical Characteristics	Connector Type	D-Sub/ HDMI	
	Signal Cable Type	Detachable	
Environmental	Temperature	Operating	0°C~40°C
		Non-Operating	-25°C~55°C
	Humidity	Operating	10%~85% (Non-Condensing)
		Non-Operating	5%~93% (Non-Condensing)
	Altitude	Operating	0m~5000m(0ft~16404ft)
Non-Operating		0m~12192m(0ft~40000ft)	