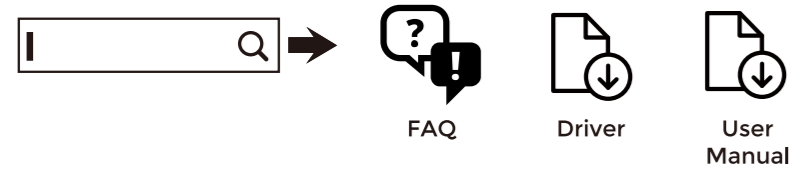


## Find your product and get support



**Europe**  
<https://aoc.com/uk/support>

**Россия**  
<https://aoc.com/ru/support>

**Australia**  
[https://au.aoc.com/user\\_manual](https://au.aoc.com/user_manual)

**Hong Kong S.A.R.**  
[https://hk.aoc.com/user\\_manual](https://hk.aoc.com/user_manual)

**中國台灣**  
[https://tw.aoc.com/user\\_manual](https://tw.aoc.com/user_manual)

**Indonesia**  
[https://id.aoc.com/user\\_manual](https://id.aoc.com/user_manual)

**日本**  
[https://jp.aoc.com/user\\_manual](https://jp.aoc.com/user_manual)

**한국**  
[https://kr.aoc.com/user\\_manual](https://kr.aoc.com/user_manual)

**Malaysia**  
[https://my.aoc.com/user\\_manual](https://my.aoc.com/user_manual)

**Myanmar**  
[https://mm.aoc.com/user\\_manual](https://mm.aoc.com/user_manual)

**New Zealand**  
[https://nz.aoc.com/user\\_manual](https://nz.aoc.com/user_manual)

**Philippines**  
[https://ph.aoc.com/user\\_manual](https://ph.aoc.com/user_manual)

**Singapore**  
[https://sg.aoc.com/user\\_manual](https://sg.aoc.com/user_manual)

**ประเทศไทย**  
[https://th.aoc.com/user\\_manual](https://th.aoc.com/user_manual)

**Việt Nam**  
[https://vn.aoc.com/user\\_manual](https://vn.aoc.com/user_manual)

**Middle East**  
[https://me.aoc.com/user\\_manual](https://me.aoc.com/user_manual)

**South Africa**  
[https://za.aoc.com/user\\_manual](https://za.aoc.com/user_manual)

**Brasil**  
<https://aoc.portaltpv.com.br/>

**India**  
<https://aoc.com/in-en/support>

**US**  
<https://aoc.com/us/support>

**Canada**  
<https://aoc.com/ca-en/support>



Product information for EU/UK Energy



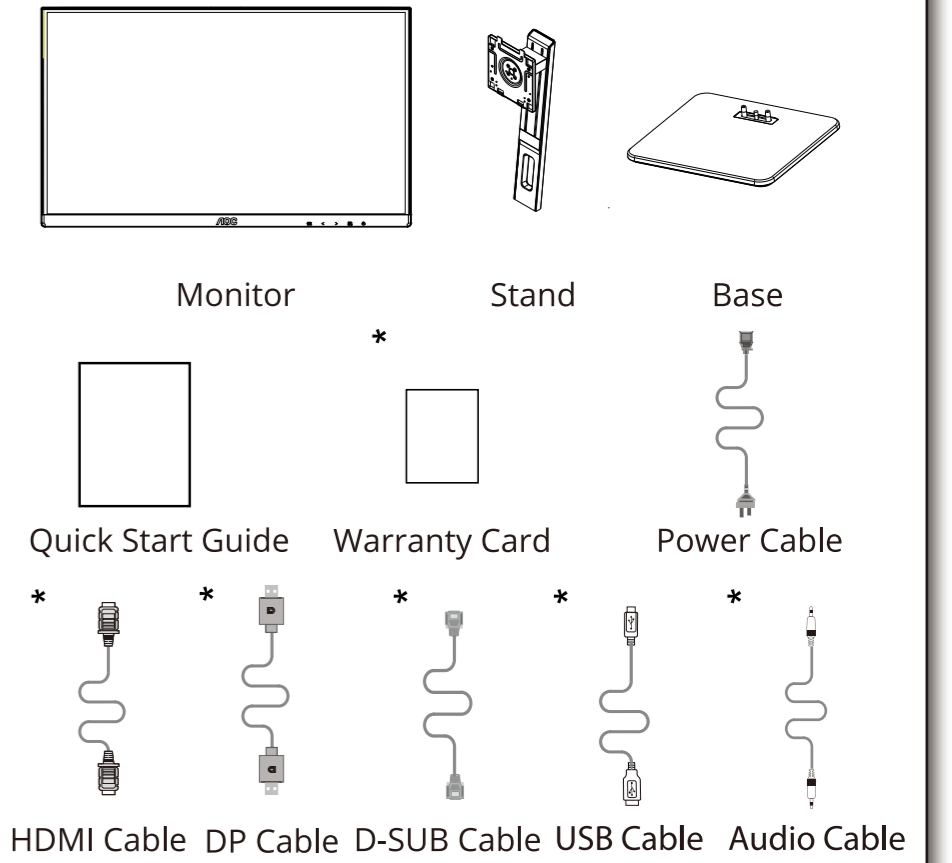
H41G22M161550B

# AOC



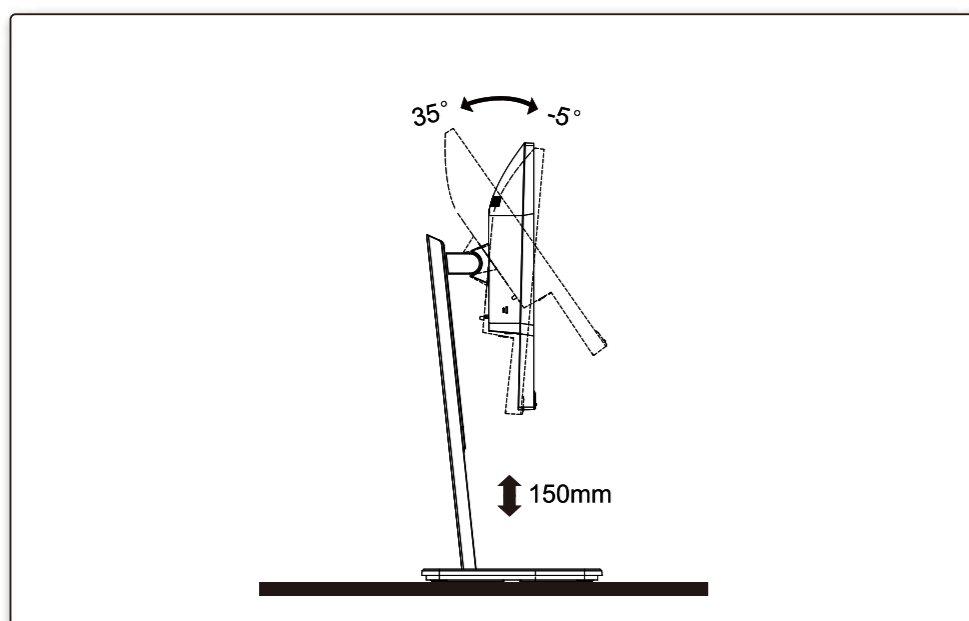
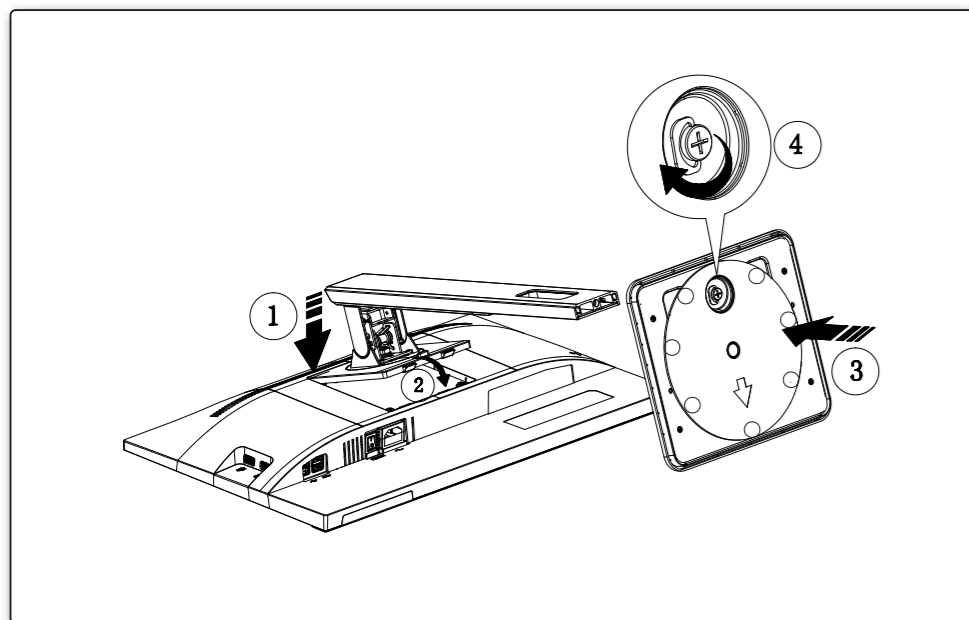
## Quick Start Guide 22E2UMF

[www.aoc.com](http://www.aoc.com)  
 ©2023 AOC.All Rights Reserved

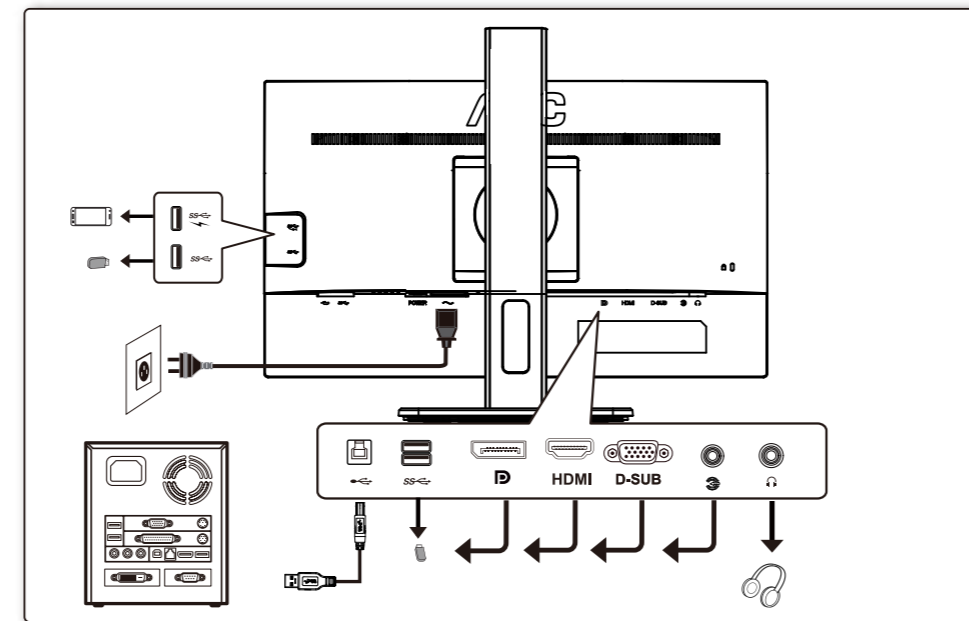
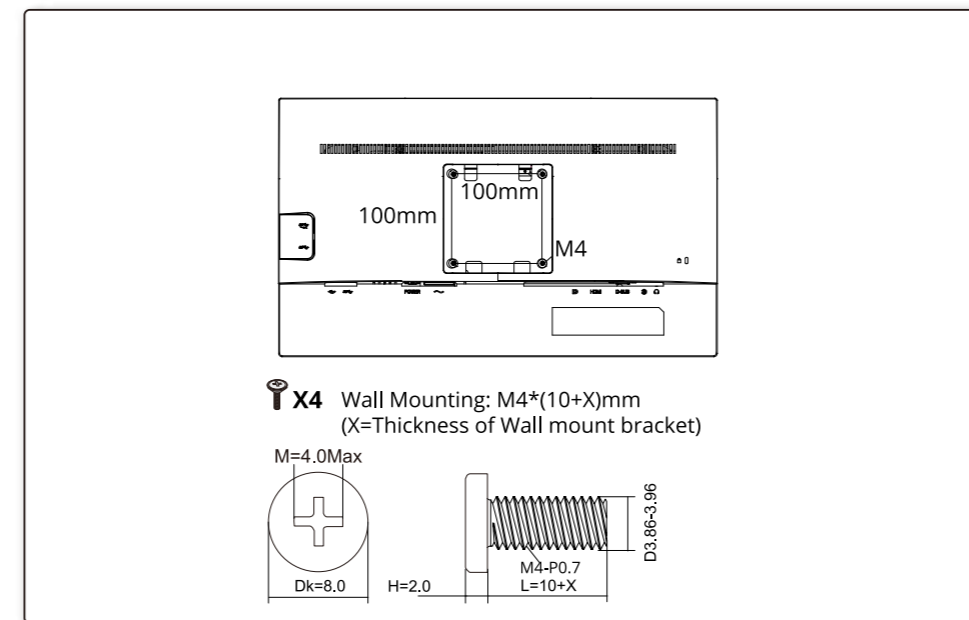


\*Different according to countries/regions  
 Display design may differ from that illustrated

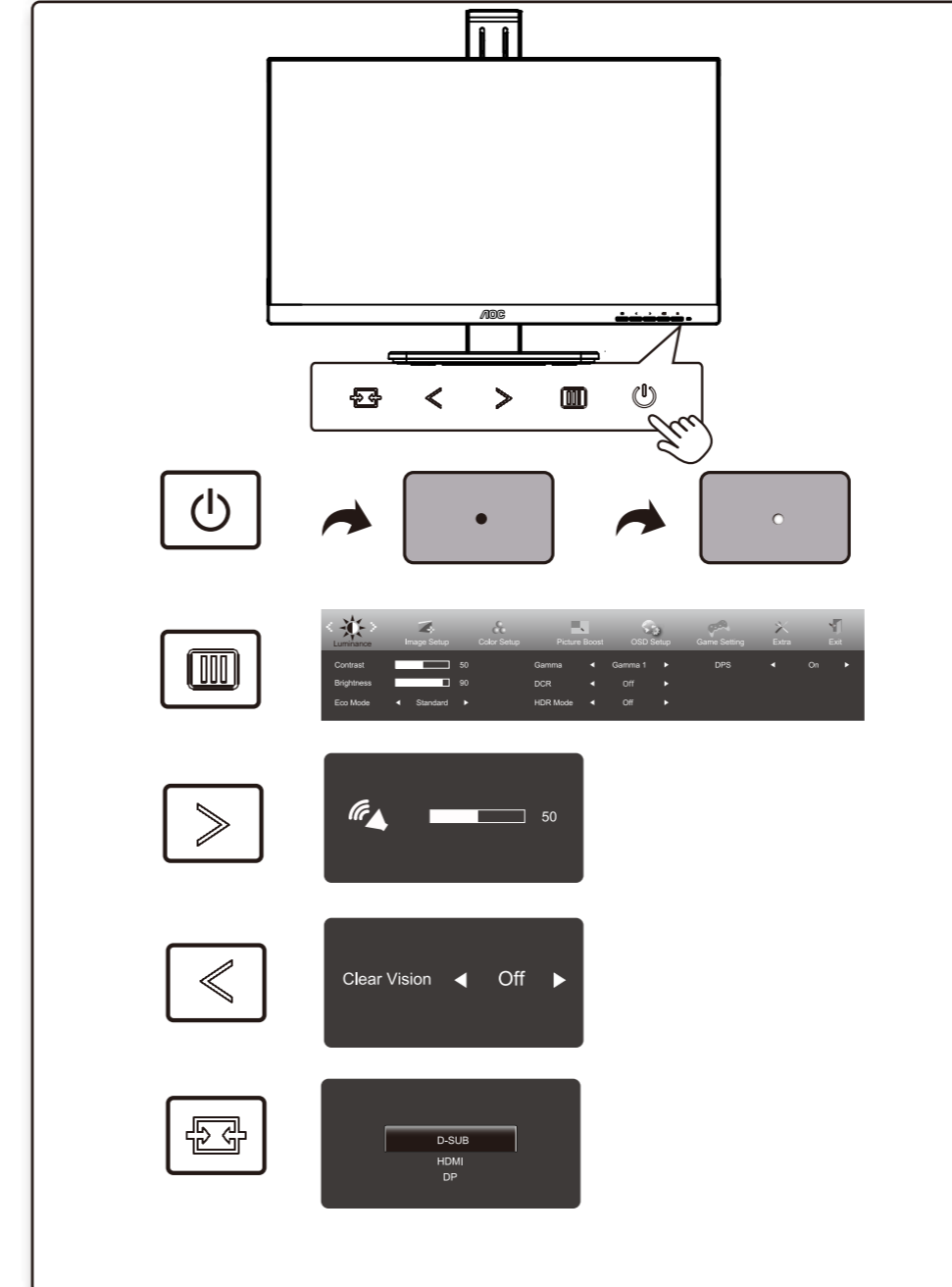
# 1



# 2



# 3



# 4

## General Specification

Panel	Model Name	22E2UMF		
	Driving System	TFT Color LCD		
	Viewable Image Size	54.6cm Diagonal(21.5" Wide Screen)		
Others	Horizontal Scan Range	30k-85kHz		
	Vertical Scan Range	48-75Hz		
	Max Resolution	1920x1080@60Hz(D-SUB) 1920x1080@75Hz(HDMI/DP)		
	Plug & Play	VESA DDC2B/CI		
	Power Source	100-240V~ 50/60Hz 1.5A		
	Power Consumption	Typical(Default Brightness And Contrast)	16W	
		Max. (Brightness = 100, Contrast = 100)	≤ 56W	
Standby Mode		≤ 0.5W		
Dimensions(with stand)	492.1x(386.1~474.3)x200.1mm (WxHxD)			
Net Weight	4.39kg			
Physical Characteristics	Connector Type	D-SUB/HDMI/DP/USBx4/USB upstream/ Earphone out/Line in		
	Signal Cable Type	Detachable		
Environmental	Temperature	Operating	0°C-40°C	
		Non-Operating	-25°C-55°C	
	Humidity	Operating	10%~85% (Non-Condensing)	
		Non-Operating	5%~93% (Non-Condensing)	
Altitude	Operating	0m~5000m(0ft~16404ft)		
	Non-Operating	0m~12192m(0ft~40000ft)		