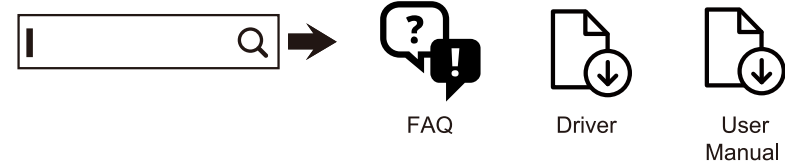


Find your product and get support



Europe
<https://eu.aoc.com/en/support>

Россия
<https://eu.aoc.com/ru/support>

Australia
https://au.aoc.com/user_manual

Hong Kong S.A.R.
https://hk.aoc.com/user_manual

中國台灣
https://tw.aoc.com/user_manual

Indonesia
https://id.aoc.com/user_manual

日本
https://jp.aoc.com/user_manual

한국
https://kr.aoc.com/user_manual

Malaysia
https://my.aoc.com/user_manual

Myanmar
https://mm.aoc.com/user_manual

New Zealand
https://nz.aoc.com/user_manual

Philippines
https://ph.aoc.com/user_manual

Singapore
https://sg.aoc.com/user_manual

ประเทศไทย
https://th.aoc.com/user_manual

Việt Nam
https://vn.aoc.com/user_manual

Middle East
https://me.aoc.com/user_manual

South Africa
https://za.aoc.com/user_manual

Brasil
<https://aoc.portaltv.com.br/>

India
https://www.aocindia.com/download_manuals.php

US/Canada
<https://us.aoc.com/en-US/downloads>



AOC

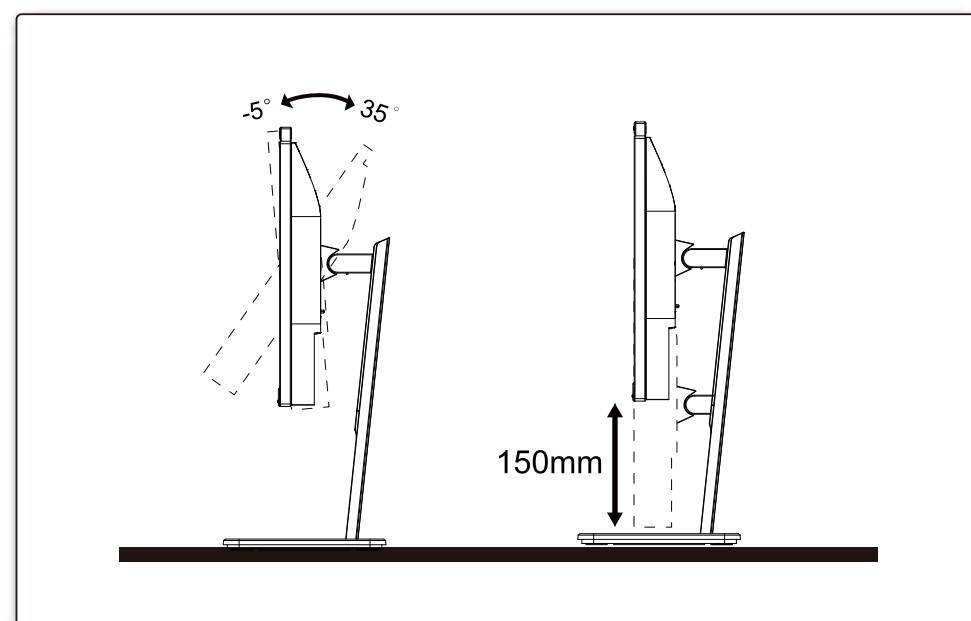
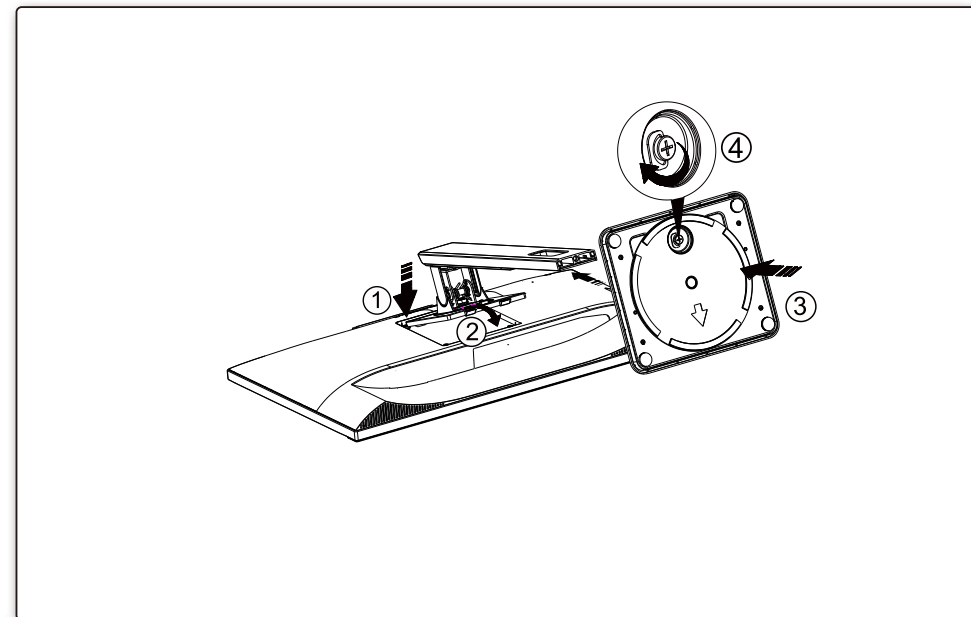
Quick Start
Q27P3QW

www.aoc.com
 ©2022 AOC. All Rights Reserved

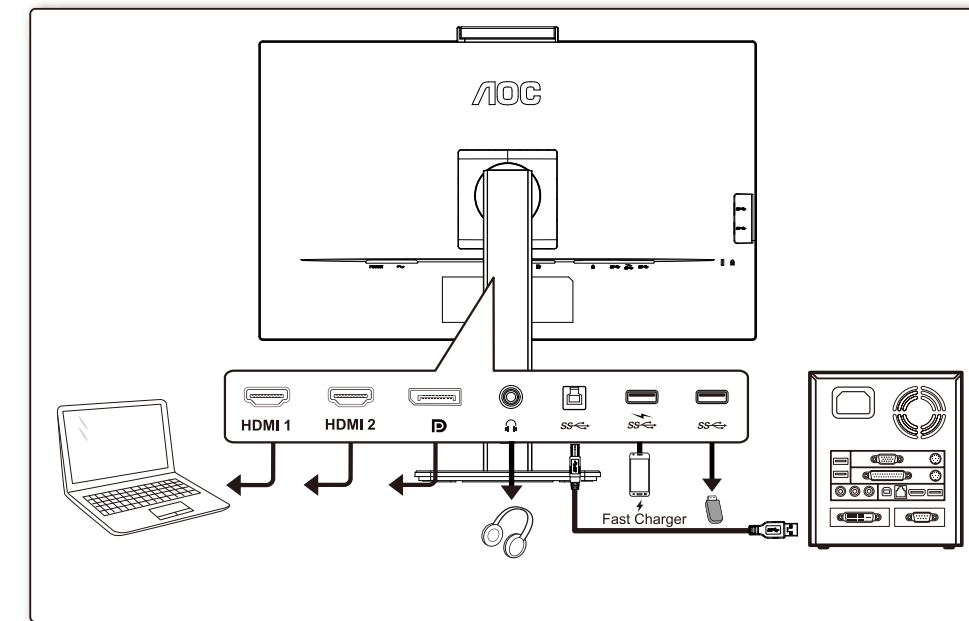
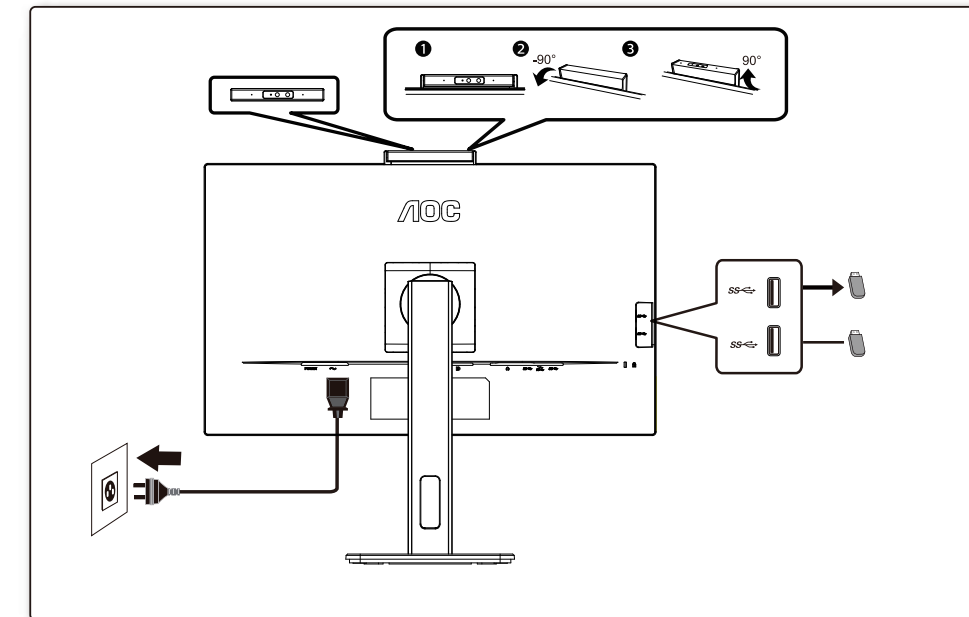
HDMI

*Different according to countries/regions
 Display design may differ from that illustrated

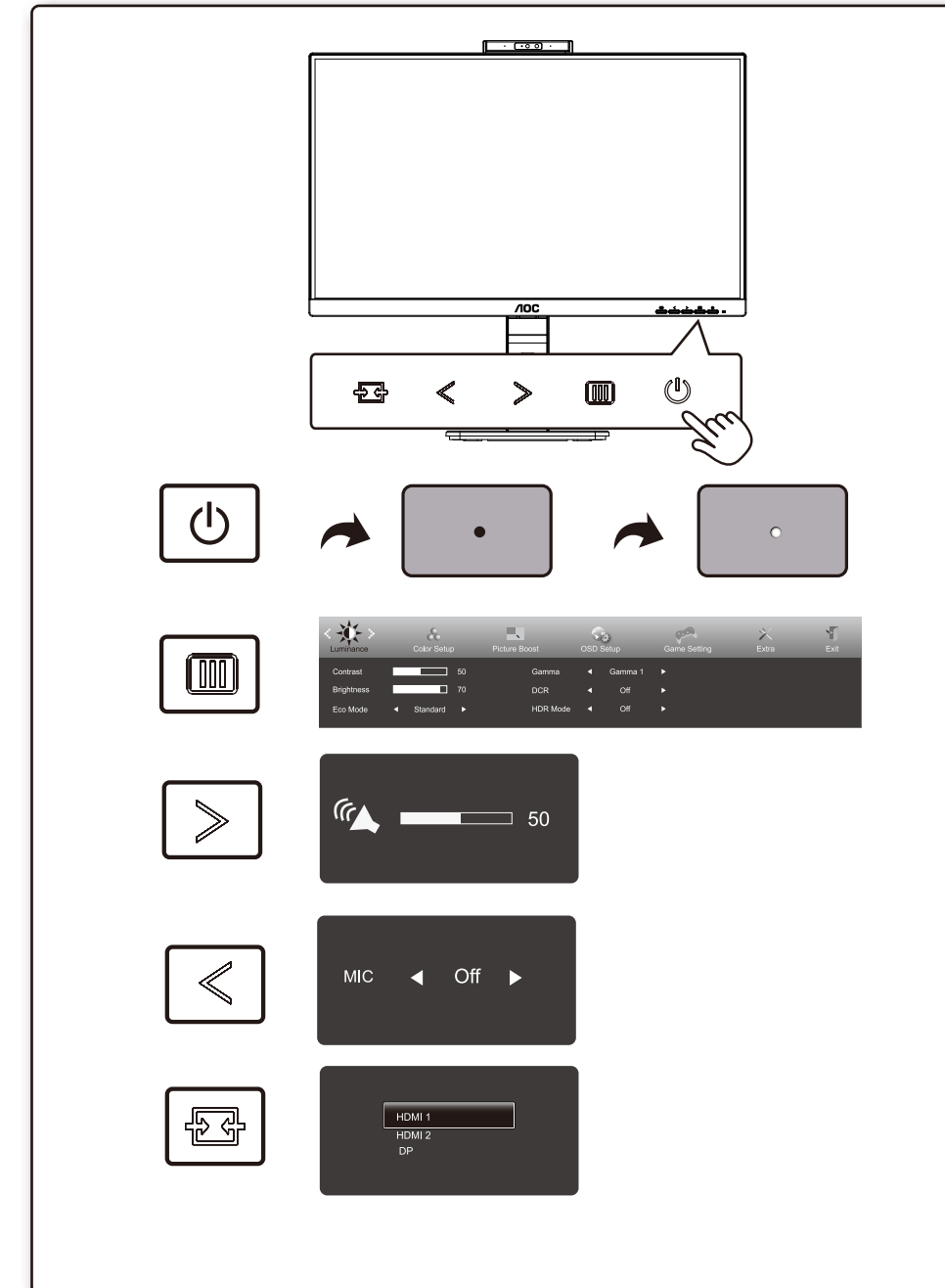
1



2



3



4

General Specification

Panel	Model Name	Q27P3QW		
	Driving System	TFT Color LCD		
	Viewable Image Size	68.5cm diagonal(27" Wide Screen)		
	Pixel Pitch	0.2331mm(H) x 0.2331mm(V)		
Others	Horizontal Scan Range	30k-114kHz		
	Horizontal Scan Size(Maximum)	596.736mm		
	Vertical Scan Range	48-75Hz		
	Vertical Scan Size(Maximum)	335.664mm		
	Max Resolution	2560x1440@75Hz		
	Plug & Play	VESA DDC2B/CI		
	Power Source	100-240V~, 50/60Hz, 1.5A		
	Power Consumption	Typical (Default Brightness And Contrast)	26W	
		Max. (Brightness =100, Contrast =100)	≤ 83W	
		Standby Mode	≤ 0.5W	
Dimensions(With Stand)	613.8x(413.0-561.2)x200.1mm(WxHxD)			
Net Weight	6.60kg			
Physical Characteristics	Connector Type	HDMIx2/DP/Earphone/USB Upstream/USB3.2 Gen1x4(Includes 1 Fast Charger)		
	Signal Cable Type	Detachable		
Environmental	Temperature	Operating	0°C~ 40°C	
		Non-Operating	-25°C~55°C	
	Humidity	Operating	10%~85% (Non-Condensing)	
		Non-Operating	5%~93% (Non-Condensing)	
	Altitude	Operating	0~5000m (0~16404ft)	
		Non-Operating	0~12192m (0~40000ft)	