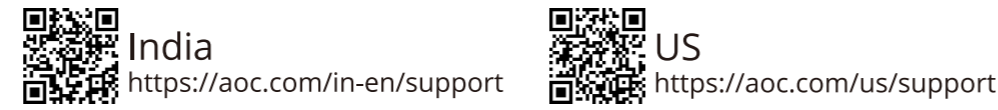
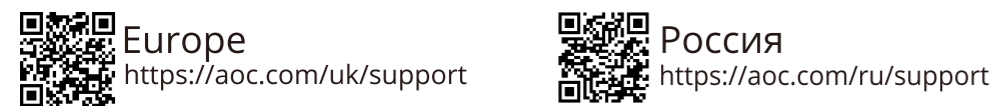
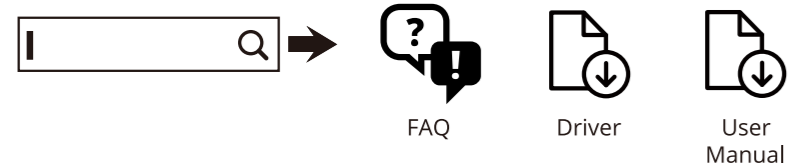


Find your product and get support



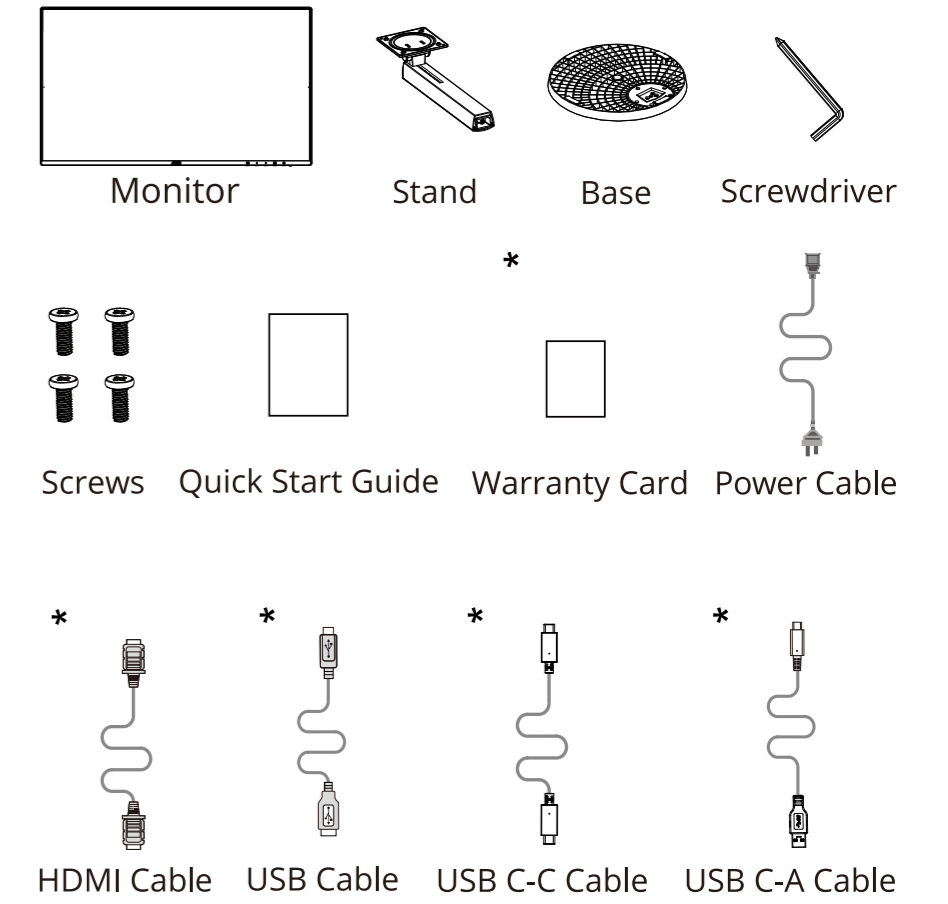
AOC



Quick Start Guide

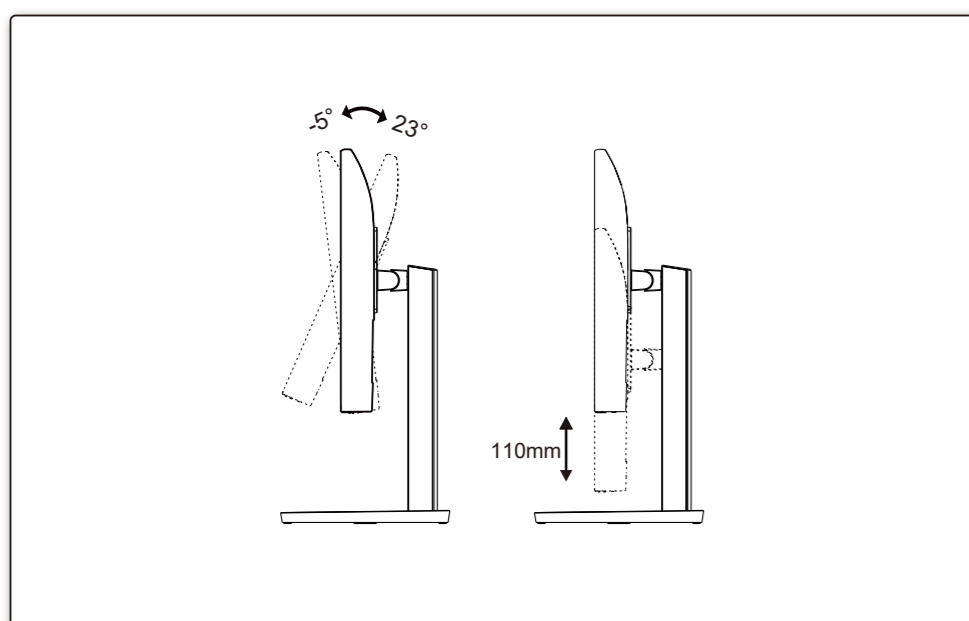
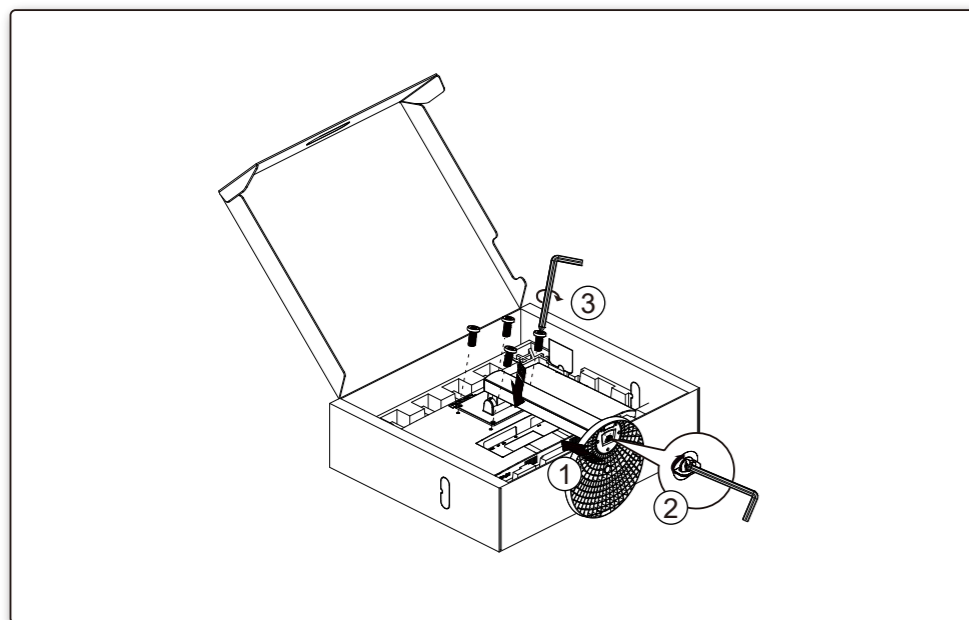
27B3CF2

www.aoc.com
©2023 AOC.All Rights Reserved

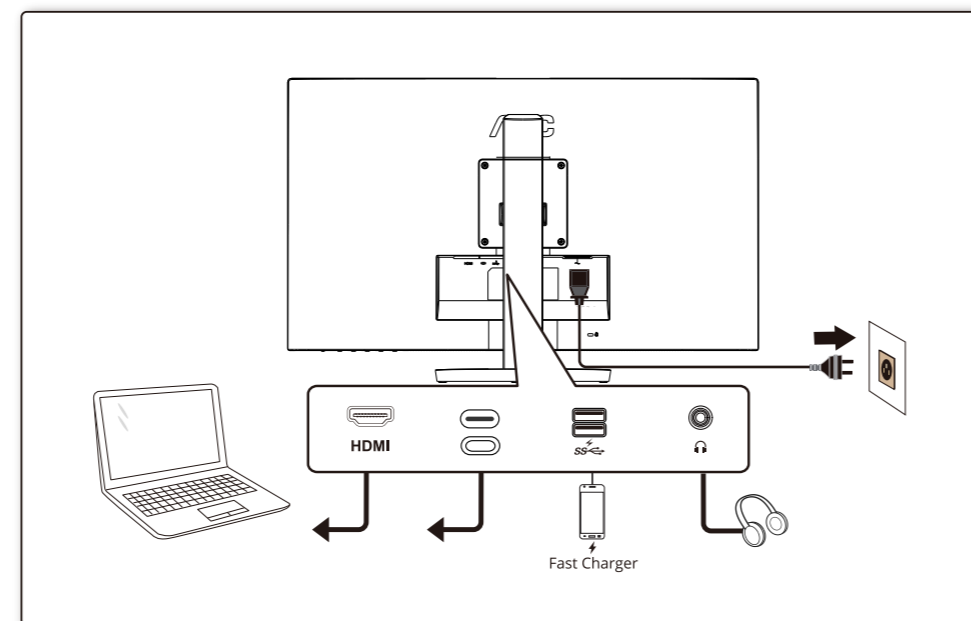
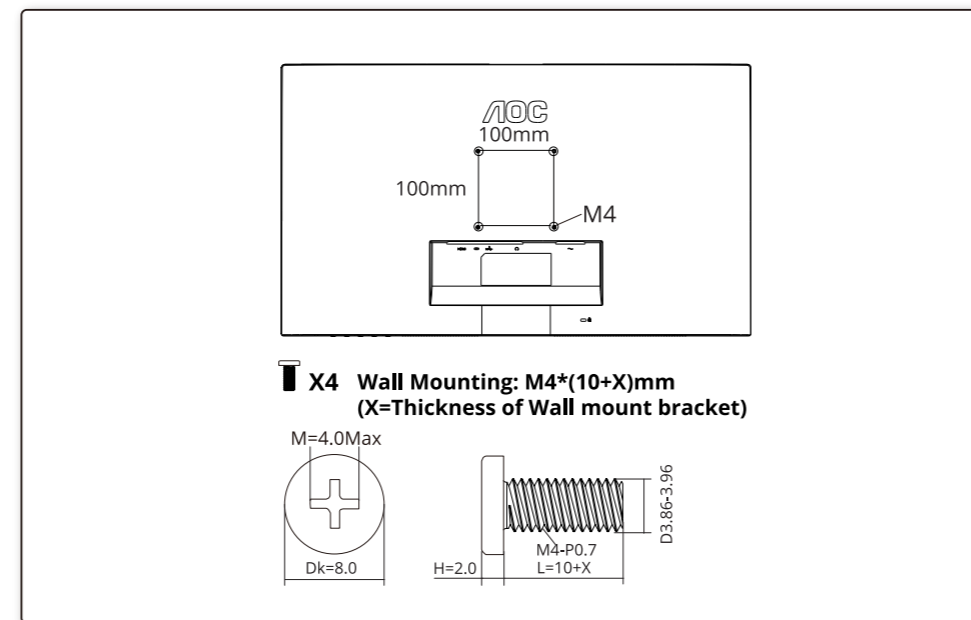


*Different according to countries/regions
Display design may differ from that illustrated

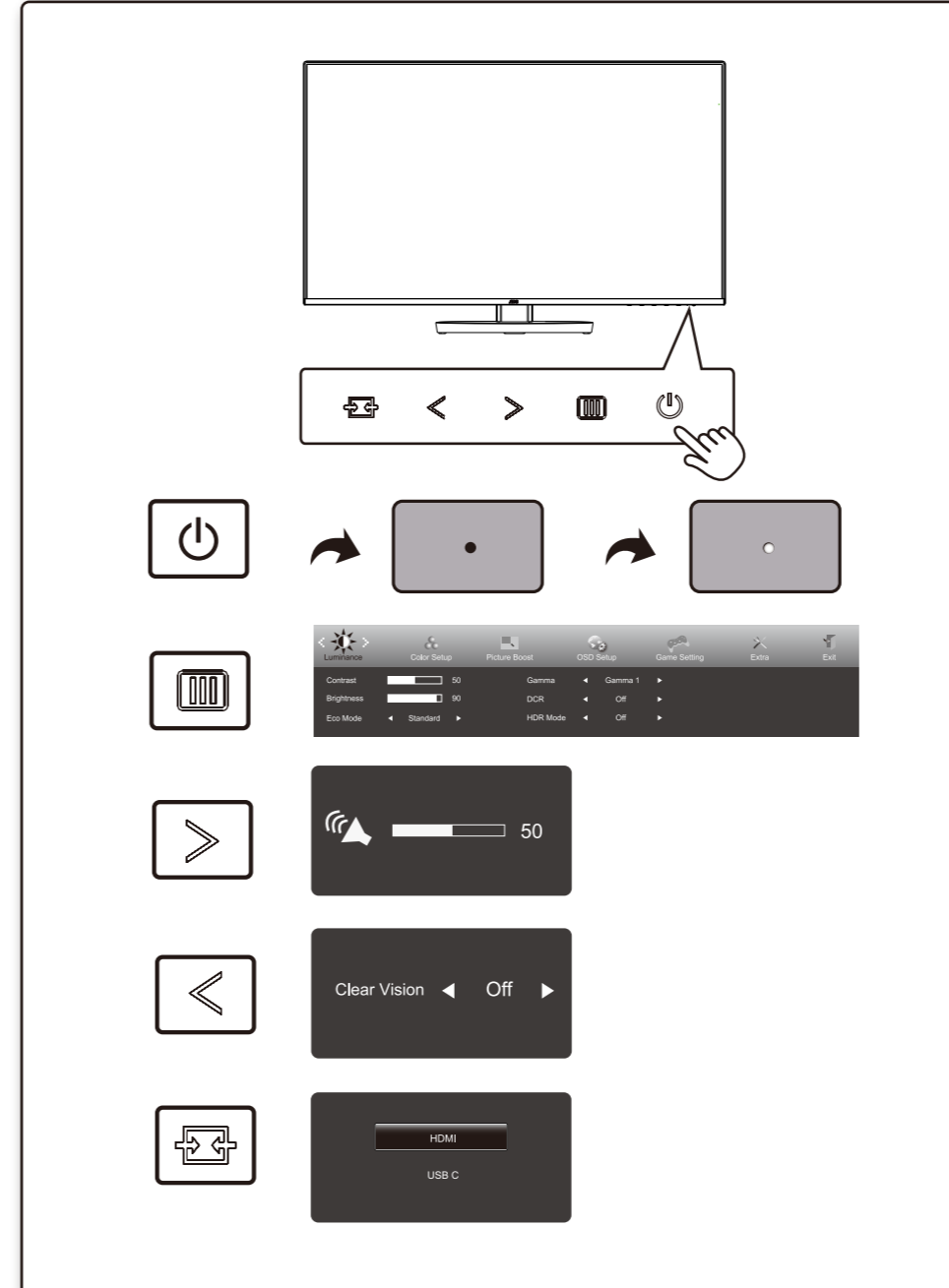
1



2



3



4

General Specification

Panel	Model Name	27B3CF2		
	Driving System	TFT Color LCD		
	Viewable Image Size	68.6cm diagonal (27" Wide Screen)		
	Pixel Pitch	0.3114mm(H) x 0.3114mm(V)		
Others	Horizontal Scan Range	30k~115kHz		
	Horizontal Scan Size(Maximum)	597.888mm		
	Vertical Scan Range	48-100Hz		
	Vertical Scan Size(Maximum)	336.312mm		
	Max Resolution	1920x1080@100Hz		
	Plug & Play	VESA DDC2B/CI		
	Power Source	100-240V~, 50/60Hz, 1.5A		
	Power Consumption	Typical (default brightness and contrast)	35W	
		Max. (brightness =100, contrast =100)	≤ 135W	
		Standby mode	≤ 0.5W	
Dimensions(with stand)	616.6x(398.6-508.6)x229.8mm (WxHxD)			
Net Weight	5.56kg			
Physical Characteristics	Connector Type	HDMI/USB C/USB/Earphone		
	Signal Cable Type	Detachable		
	Built-In Speaker	2Wx2		
Environmental	Temperature	Operating	0°C~40°C	
		Non-Operating	-25°C~55°C	
	Humidity	Operating	10%~85% (non-condensing)	
		Non-Operating	5%~93% (non-condensing)	
	Altitude	Operating	0m~5000m (0~ 16404ft)	
		Non-Operating	0m~12192m (0~ 40000ft)	