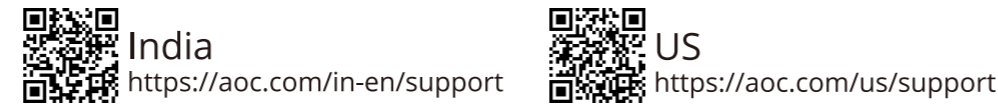
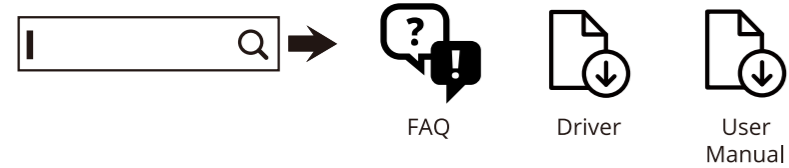


Find your product and get support



Product information for EU/UK Energy



F41G27M461574A----

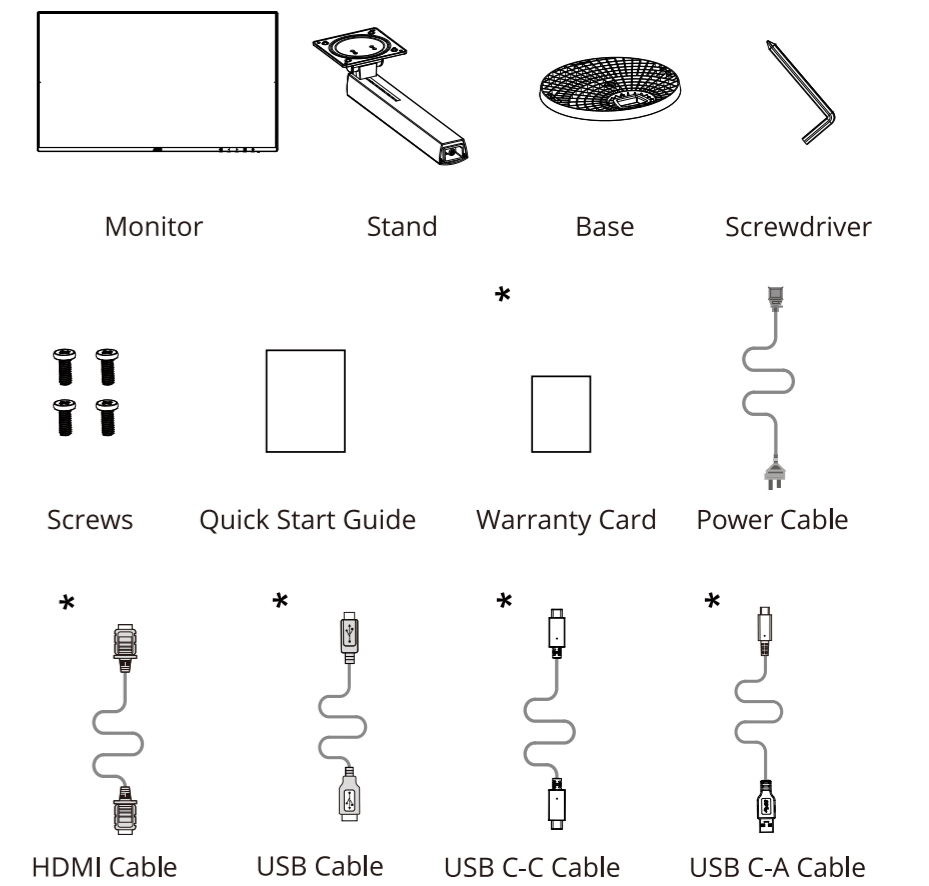
AOC



Quick Start Guide

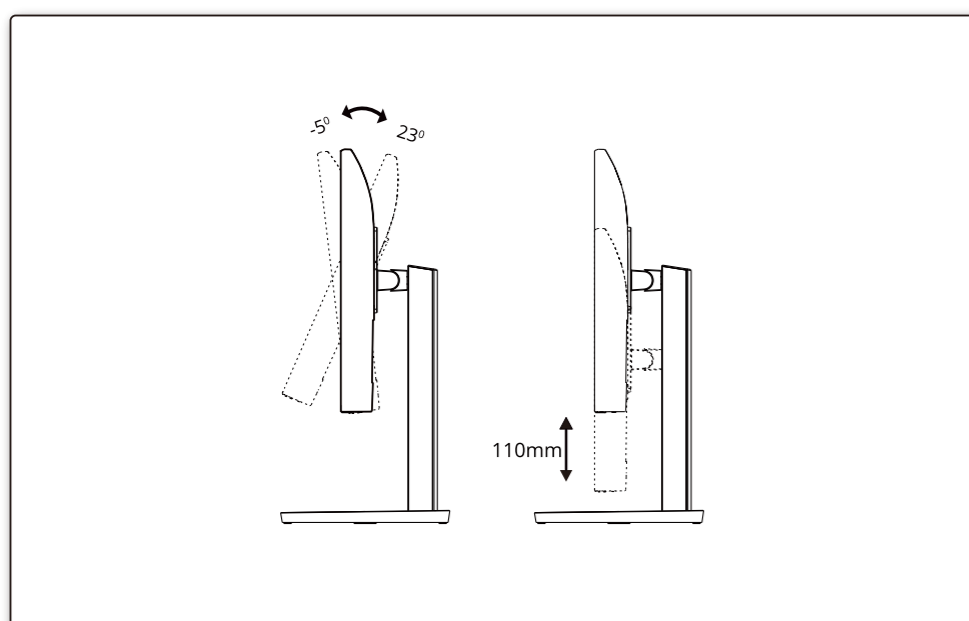
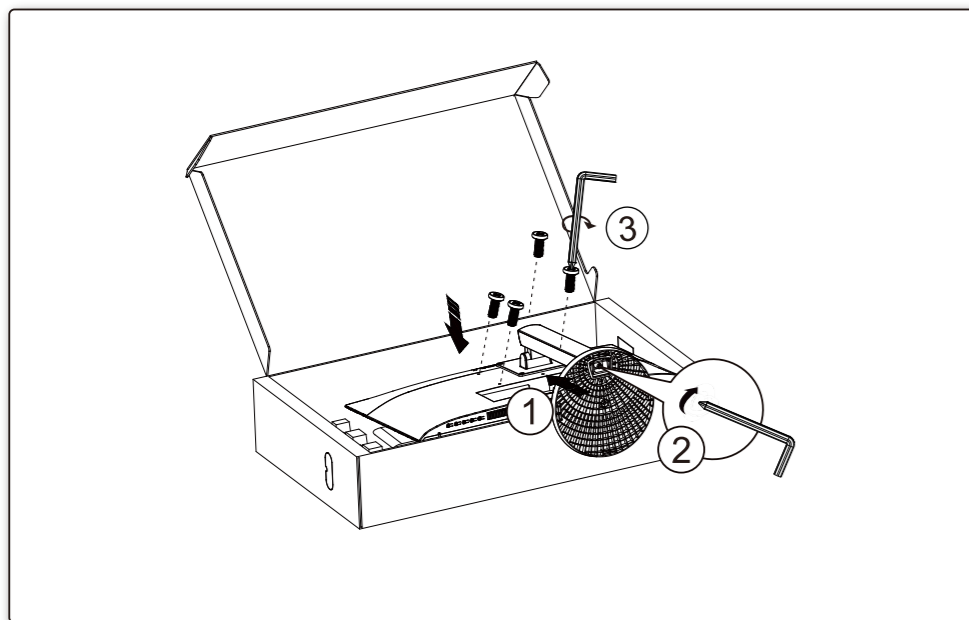
Q27B3CF2

www.aoc.com
©2023 AOC.All Rights Reserved

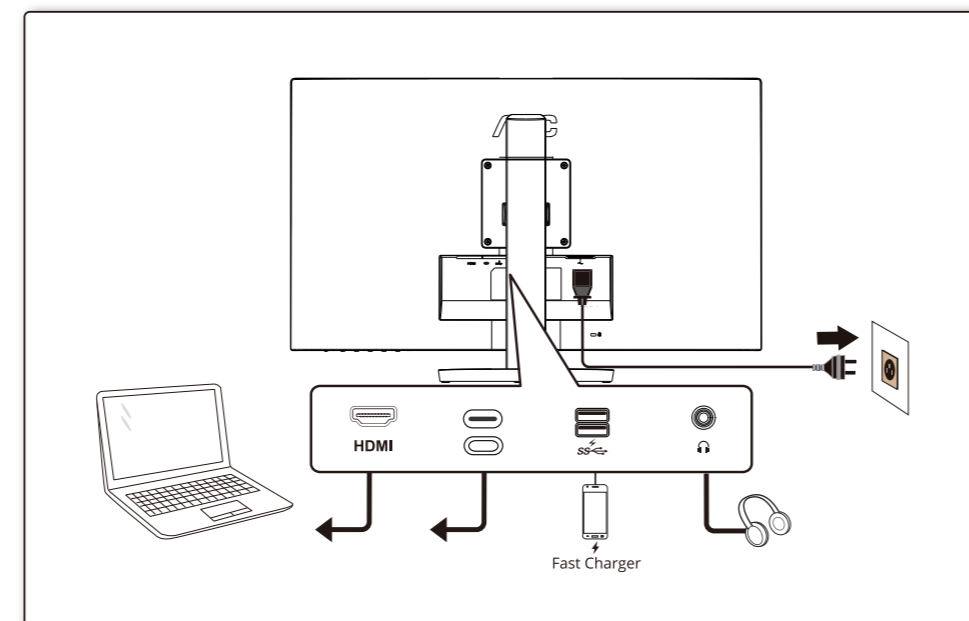
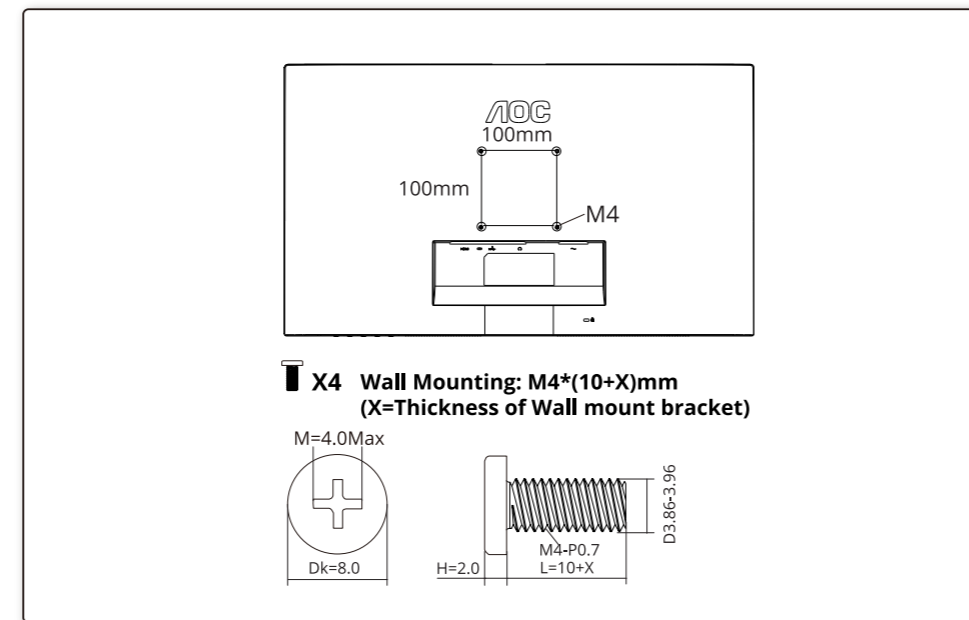


*Different according to countries/regions
Display design may differ from that illustrated

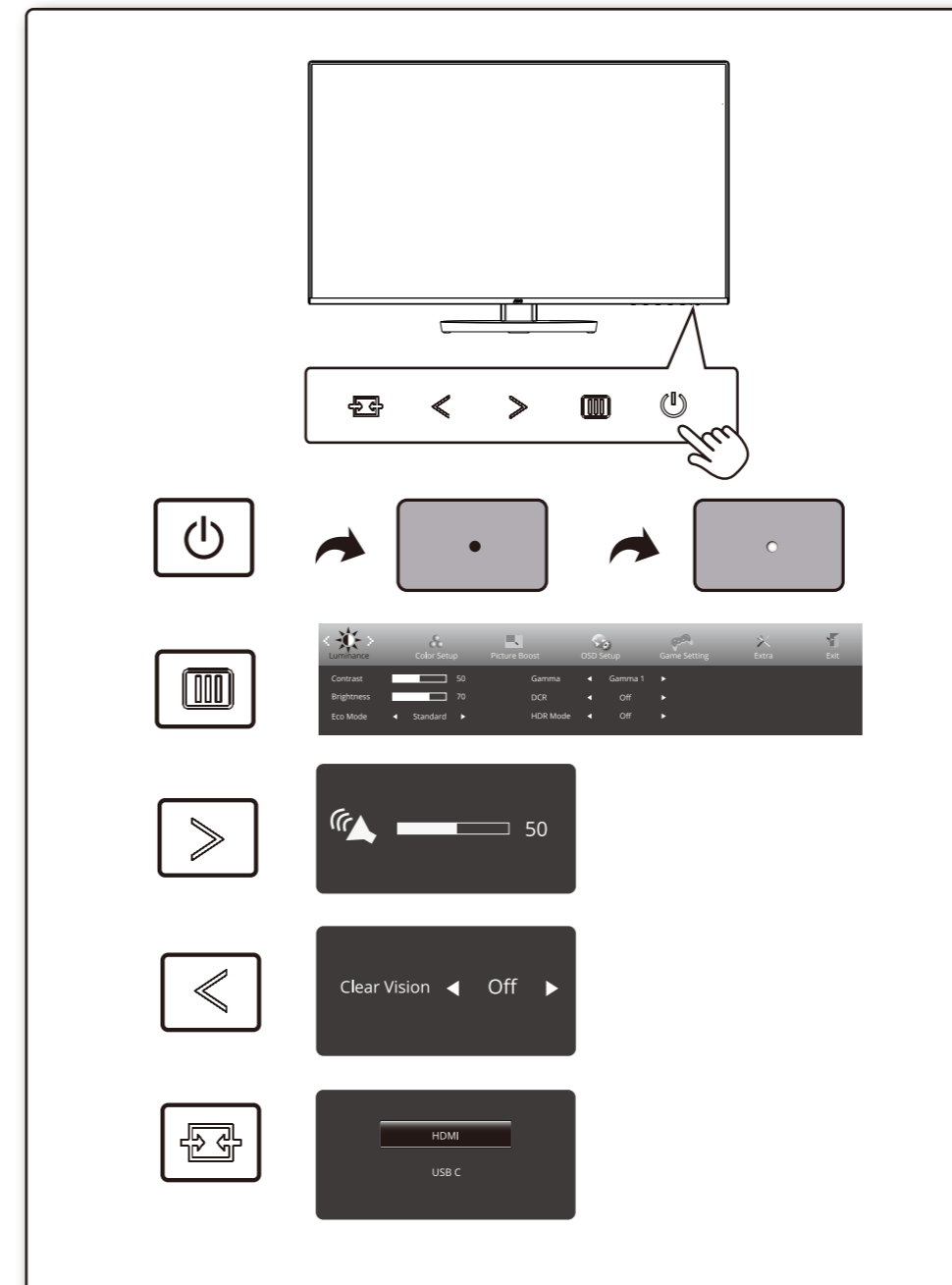
1



2



3



4

General Specification

Panel	Model Name	Q27B3CF2	
	Driving System	TFT Color LCD	
	Viewable Image Size	68.6cm diagonal (27" Wide Screen)	
	Pixel Pitch	0.3114mm(H) x 0.3114mm(V)	
Others	Horizontal Scan Range	30k~115kHz	
	Horizontal Scan Size(Maximum)	596.736mm	
	Vertical Scan Range	48-100Hz	
	Vertical Scan Size(Maximum)	335.664mm	
	Max Resolution	2560x1440@100Hz	
	Plug & Play	VESA DDC2B/CI	
	Power Source	100-240V~ 50/60Hz 1.5A	
Power Consumption	Typical (default brightness and contrast)	24W	
	Max. (brightness =100, contrast =100)	≤ 123W	
	Standby mode	≤ 0.5W	
Dimensions(with stand)	616.6x(398.6-508.6)x229.8mm (WxHxD)		
Net Weight	5.51kg		
Physical Characteristics	Connector Type	HDMI/USB C/USB/Earphone	
	Signal Cable Type	Detachable	
	Built-In Speaker	2Wx2	
Environmental	Temperature	Operating	0°C~40°C
		Non-Operating	-25°C~55°C
	Humidity	Operating	10%~85% (non-condensing)
		Non-Operating	5%~93% (non-condensing)
Altitude	Operating	0m~5000m (0ft~16404ft)	
	Non-Operating	0m~12192m (0ft~40000ft)	