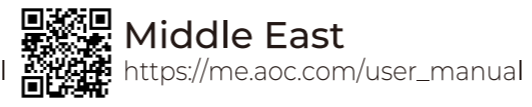
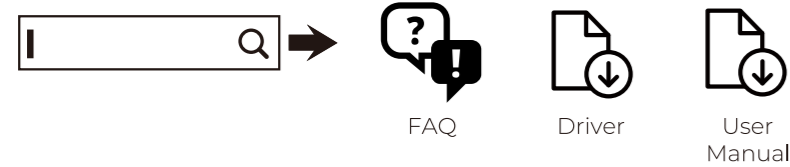


## Find your product and get support



H41G34M161547A

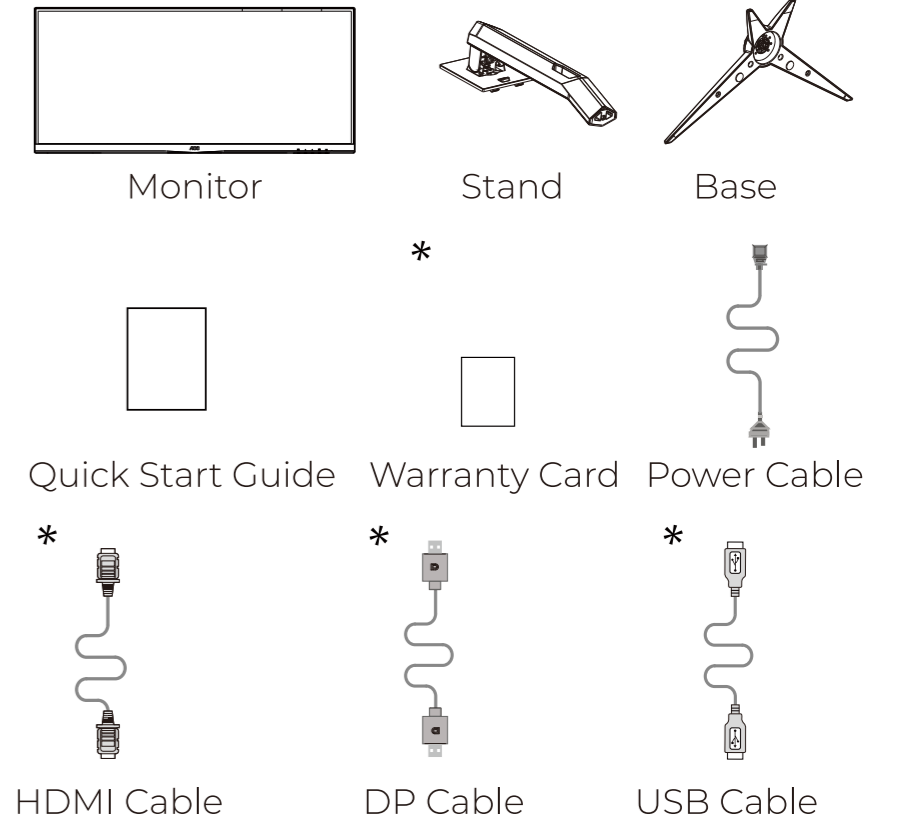
# AOC



## Quick Start Guide CU34G2XP/BK

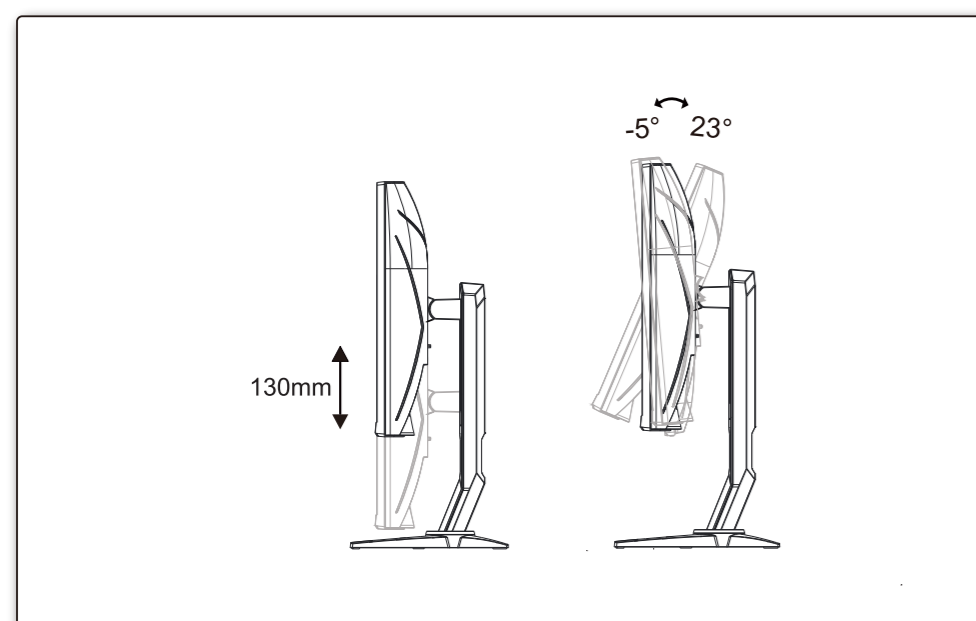
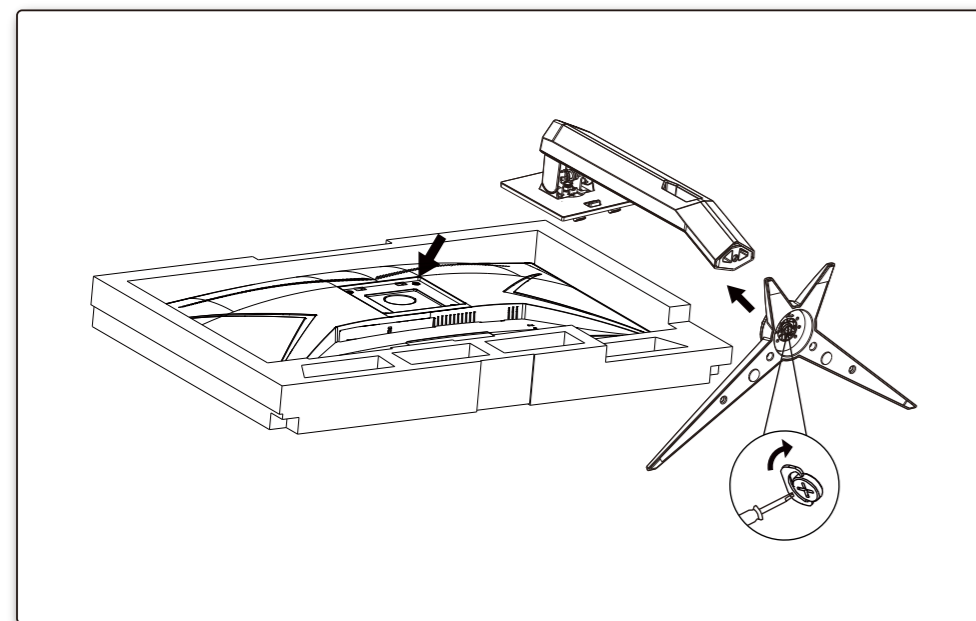
www.aoc.com  
©2023 AOC. All Rights Reserved

**HDMI**  
HIGH-DEFINITION MULTIMEDIA INTERFACE

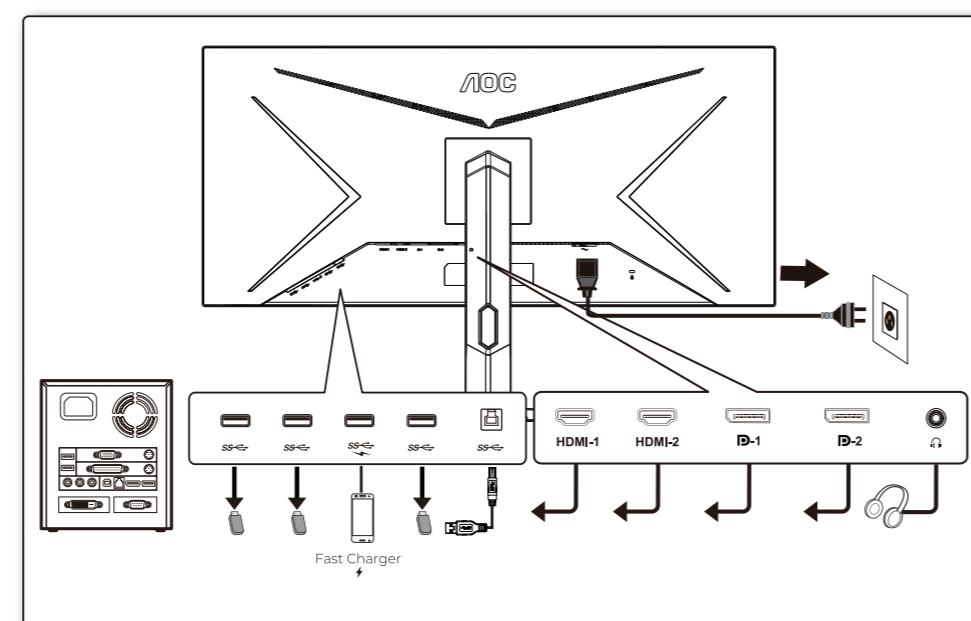
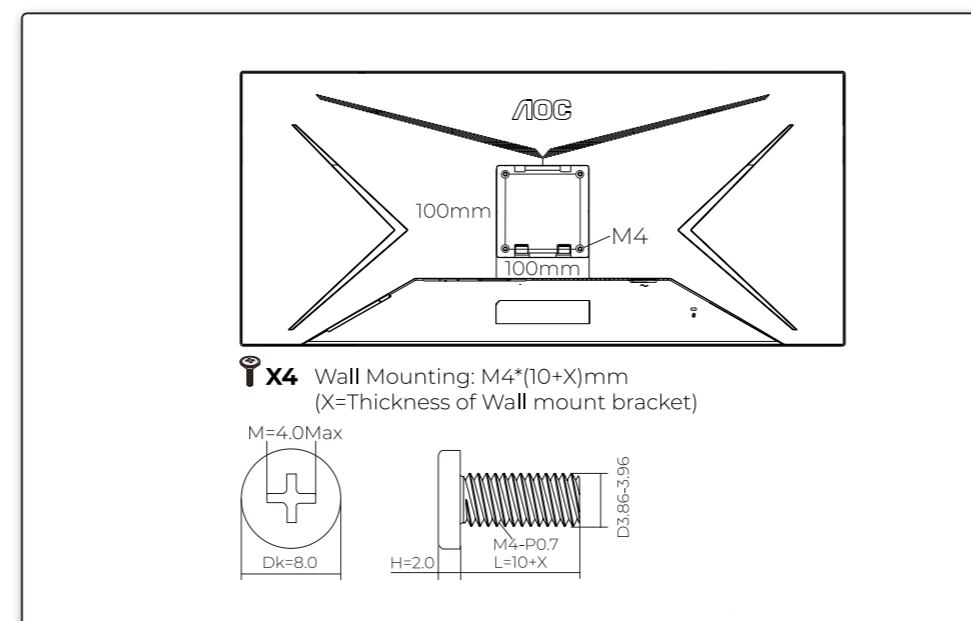


**\*Different according to countries/regions**  
Display design may differ from that illustrated

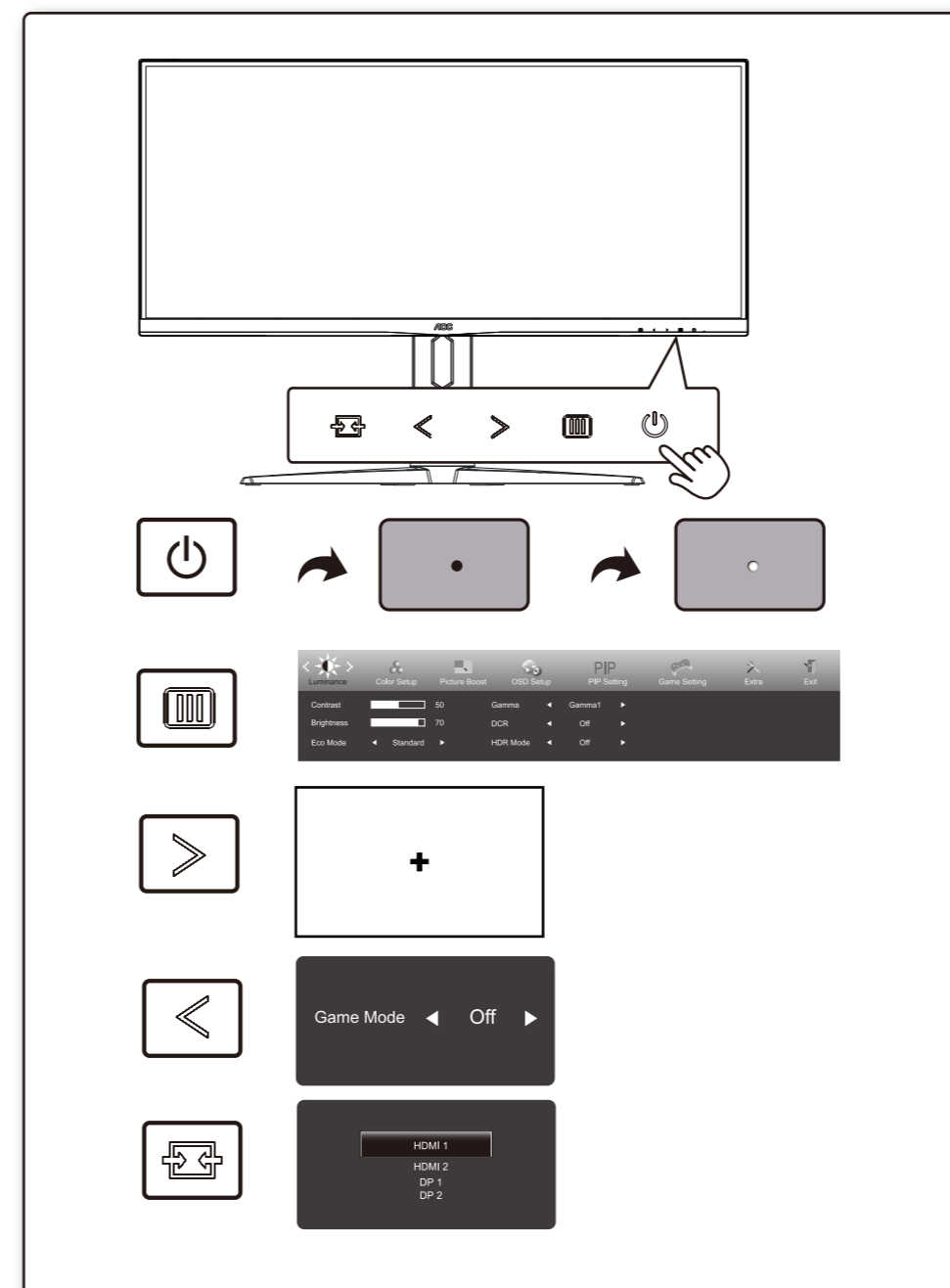
# 1



# 2



# 3



# 4

## General Specification

|                          |                               |  |            |  |
|--------------------------|-------------------------------|--|------------|--|
| Panel                    | Model Name                    | CU34G2XP/BK                                  |            |  |
|                          | Driving System                | TFT Color LCD                                |            |  |
|                          | Viewable Image Size           | 86.36cm Diagonal(34" Wide Screen)            |            |  |
|                          | Pixel Pitch                   | 0.23175mm(H) x 0.23175mm(V)                  |            |  |
| Others                   | Horizontal Scan Range         | 30k-160kHz(HDMI)<br>30k-270kHz(DP)           |            |  |
|                          | Horizontal Scan Size(Maximum) | 797.22mm                                     |            |  |
|                          | Vertical Scan Range           | 48-120Hz(HDMI)<br>48-180Hz(DP)               |            |  |
|                          | Vertical Scan Size(Maximum)   | 333.72mm                                     |            |  |
|                          | Max Resolution                | 3440x1440@100Hz(HDMI)<br>3440x1440@180Hz(DP) |            |  |
|                          | Plug & Play                   | VESA DDC2B/CI                                |            |  |
|                          | Power Source                  | 100-240V~, 50/60Hz, 1.5A                     |            |  |
|                          | Power Consumption             | Typical(Default Brightness And Contrast)     | 59W        |  |
|                          |                               | Max. (Brightness = 100, Contrast = 100)      | ≤120W      |  |
|                          |                               | Standby Mode                                 | ≤ 0.5W     |  |
| Physical Characteristics | Dimensions(with stand)        | 808.3x(398.2~528.2)x237.4mm (WxHxD)          |            |  |
|                          | Net Weight                    | 8.02kg                                       |            |  |
| Environmental            | Temperature                   | Operating                                    | 0°C~40°C   |  |
|                          |                               | Non-Operating                                | -25°C~55°C |  |
| Humidity                 | Operating                     | 10%~85% (Non-Condensing)                     |            |  |
|                          | Non-Operating                 | 5%~93% (Non-Condensing)                      |            |  |
| Altitude                 | Operating                     | 0m~5000m (0ft~16404ft)                       |            |  |
|                          | Non-Operating                 | 0m~12192m (0ft~40000ft)                      |            |  |