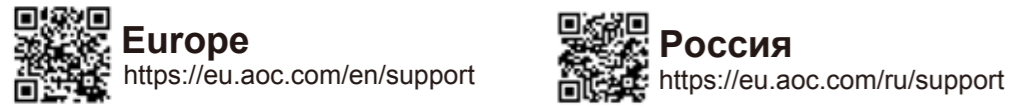
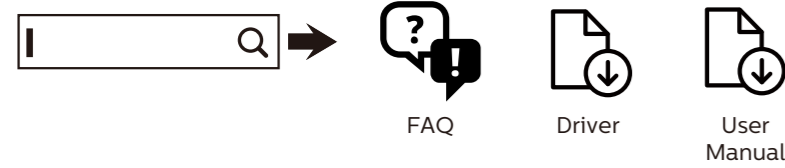


Find your product and get support



AGON



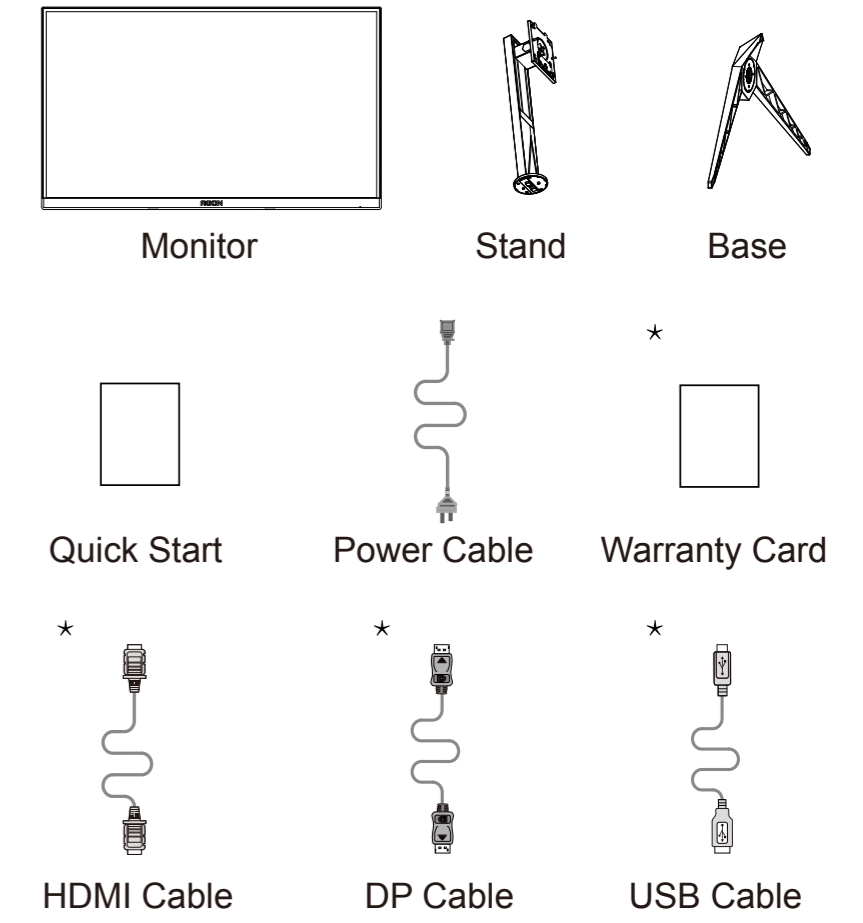
Quick Start

AG325QZN

AOC

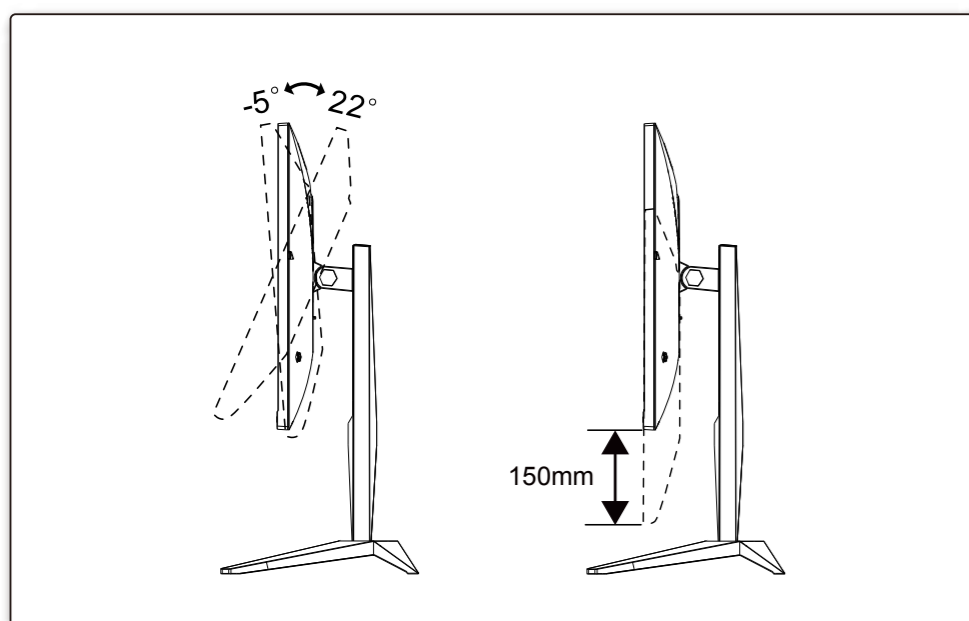
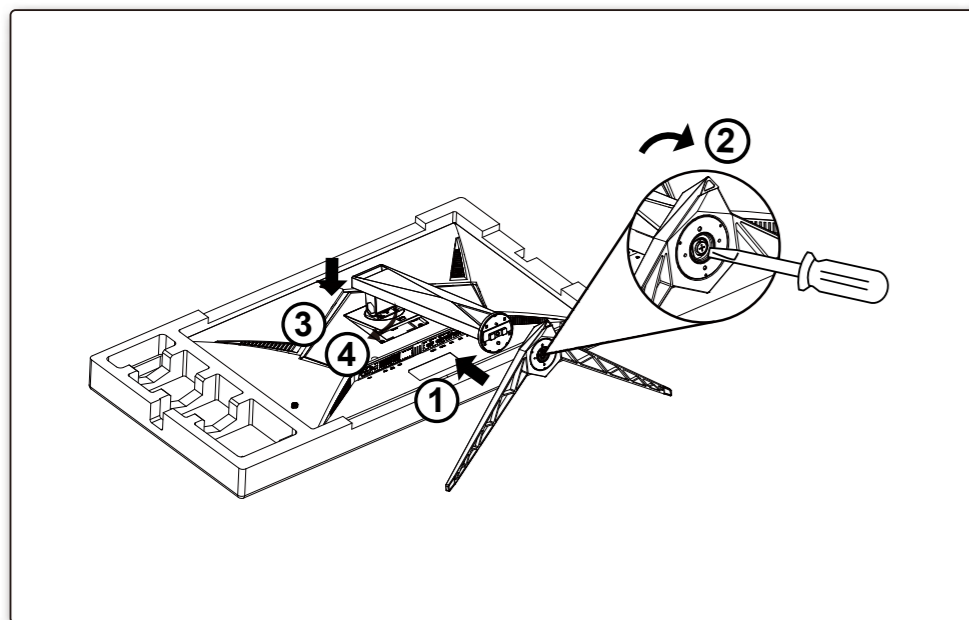
www.aoc.com
©2022 AOC. All Rights Reserved

HDMI®
HIGH-DEFINITION MULTIMEDIA INTERFACE

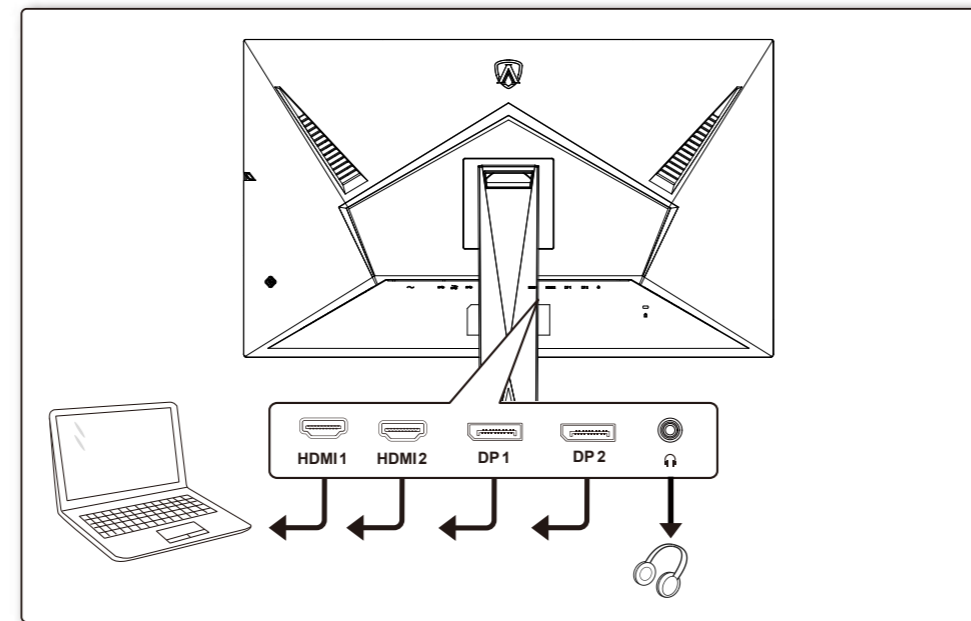
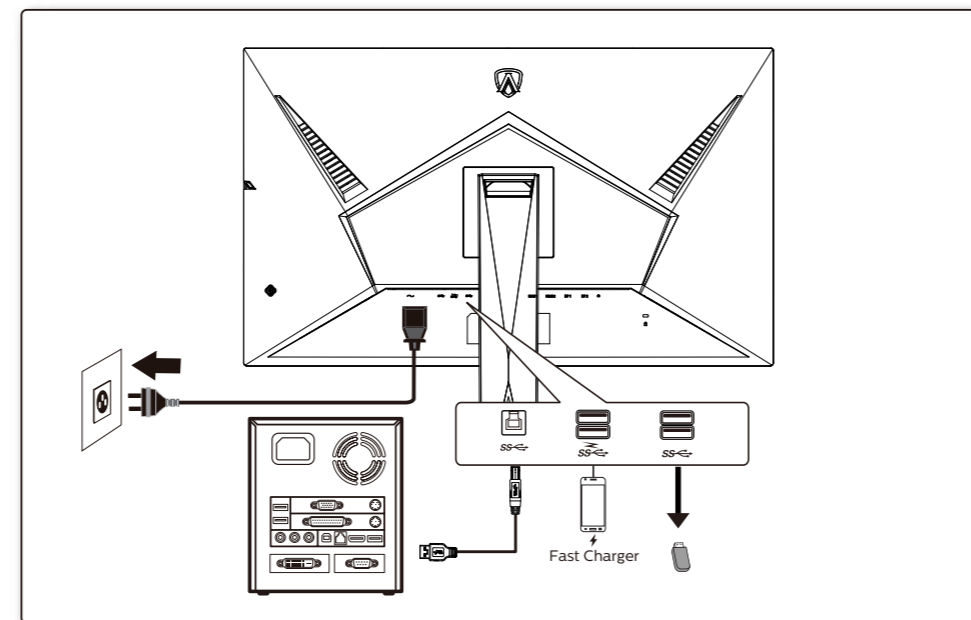


*Different according to countries/regions
Display design may differ from that illustrated

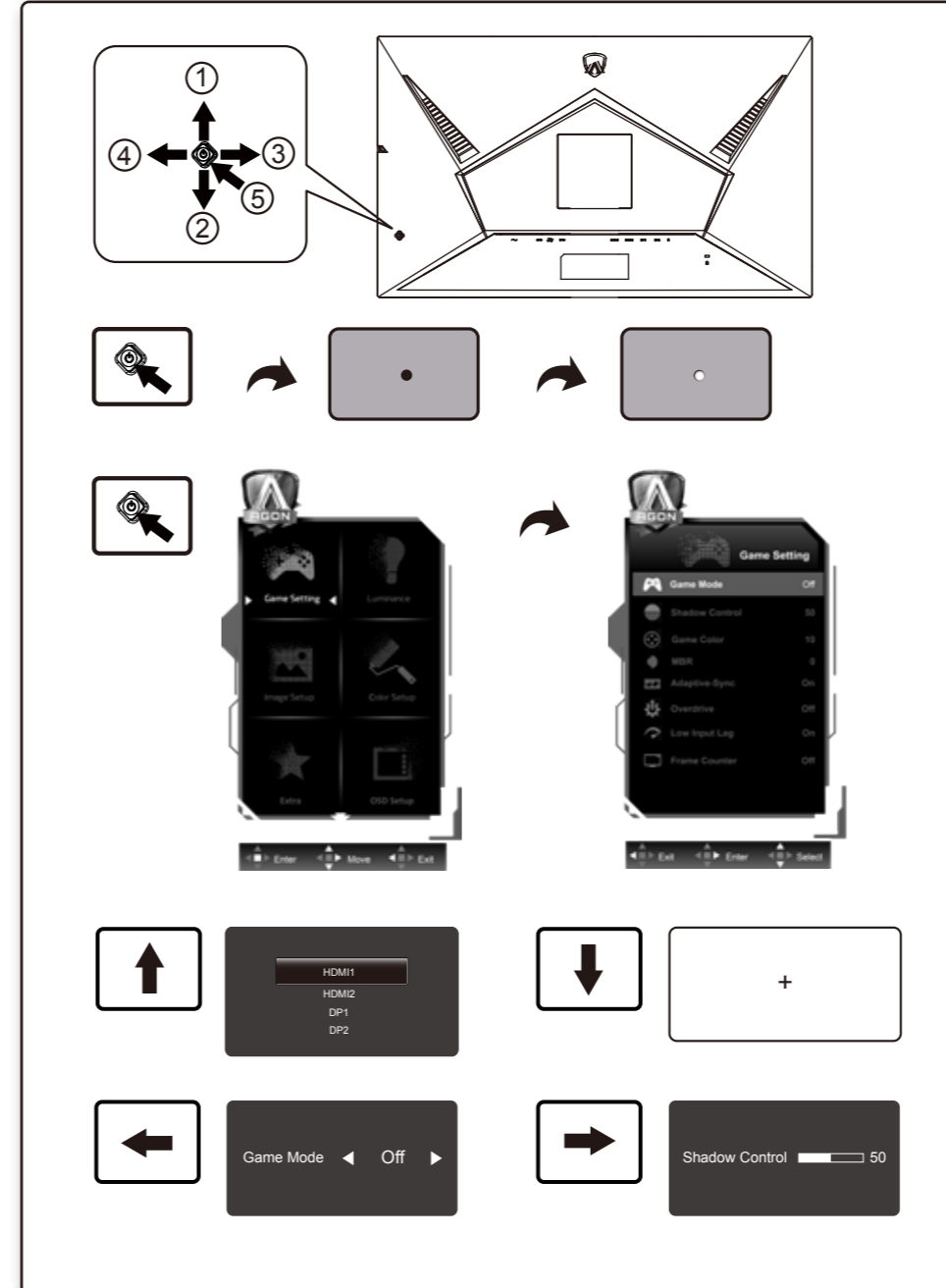
1



2



3



4

General Specification

Panel	Model Name	AG325QZN		
	Driving System	TFT Color LCD		
	Viewable Image Size	80.0cm diagonal(31.5" Wide Screen)		
	Pixel Pitch	0.2724mm(H) x 0.2724mm(V)		
Others	Horizontal Scan Range	30k-230kHz (HDMI)		
	Horizontal Scan Size(Maximum)	697.344mm		
	Vertical Scan Range	48-144Hz (HDMI)		
	Vertical Scan Size(Maximum)	392.256mm		
	Max Resolution	2560x1440@144Hz (HDMI)		
	Plug & Play	VESAs DDC2B/CI		
	Power Source	100-240V~ 50/60Hz 2.0A		
	Power Consumption	Typical (default brightness and contrast)	39W	
		Max. (brightness = 100, contrast = 100)	≤ 118W	
	Physical Characteristics	Standby Mode	≤ 0.5W	
Dimensions(with stand)		714.2x(480.8~630.8)x276.1mm(WxHxD)		
Net Weight		8.50kg		
Environmental	Connector Type	HDMI/DP/USB/Earphone		
	Signal Cable Type	Detachable		
Environmental	Temperature	Operating	0°C~ 40°C	
		Non-Operating	-25°C~55°C	
	Humidity	Operating	10%~85% (non-condensing)	
		Non-Operating	5%~93% (non-condensing)	
Altitude	Operating	0~5000m (0~16404ft)		
	Non-Operating	0~12192m (0~40000ft)		