

Find your product and get support



**Europe**  
<https://eu.aoc.com/en/support>

**Россия**  
<https://eu.aoc.com/ru/support>

**Australia**  
[https://au.aoc.com/user\\_manual](https://au.aoc.com/user_manual)

**Hong Kong S.A.R.**  
[https://hk.aoc.com/user\\_manual](https://hk.aoc.com/user_manual)

**中國台灣**  
[https://tw.aoc.com/user\\_manual](https://tw.aoc.com/user_manual)

**Indonesia**  
[https://id.aoc.com/user\\_manual](https://id.aoc.com/user_manual)

**日本**  
[https://jp.aoc.com/user\\_manual](https://jp.aoc.com/user_manual)

**한국**  
[https://kr.aoc.com/user\\_manual](https://kr.aoc.com/user_manual)

**Malaysia**  
[https://my.aoc.com/user\\_manual](https://my.aoc.com/user_manual)

**Myanmar**  
[https://mm.aoc.com/user\\_manual](https://mm.aoc.com/user_manual)

**New Zealand**  
[https://nz.aoc.com/user\\_manual](https://nz.aoc.com/user_manual)

**Philippines**  
[https://ph.aoc.com/user\\_manual](https://ph.aoc.com/user_manual)

**Singapore**  
[https://sg.aoc.com/user\\_manual](https://sg.aoc.com/user_manual)

**ประเทศไทย**  
[https://th.aoc.com/user\\_manual](https://th.aoc.com/user_manual)

**Việt Nam**  
[https://vn.aoc.com/user\\_manual](https://vn.aoc.com/user_manual)

**Middle East**  
[https://me.aoc.com/user\\_manual](https://me.aoc.com/user_manual)

**South Africa**  
[https://za.aoc.com/user\\_manual](https://za.aoc.com/user_manual)

**Brasil**  
<https://aoc.portaltpv.com.br/>

**India**  
[https://www.aocindia.com/download\\_manuals.php](https://www.aocindia.com/download_manuals.php)

**US/Canada**  
<https://us.aoc.com/en-US/downloads>

Printed in China

Q41G78S361579A

**AGON**

**Quick Start**  
**AG405UXC**

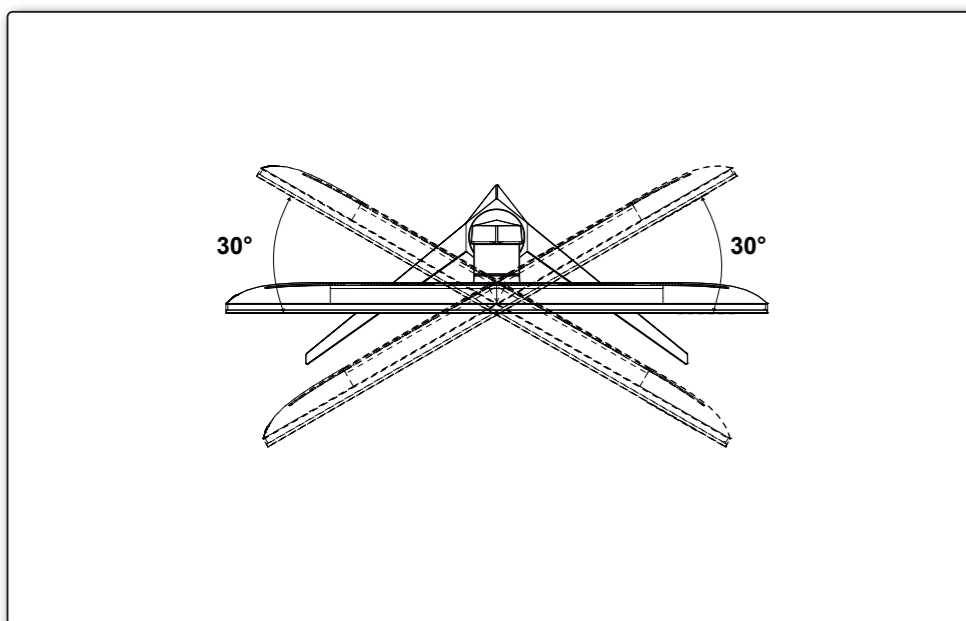
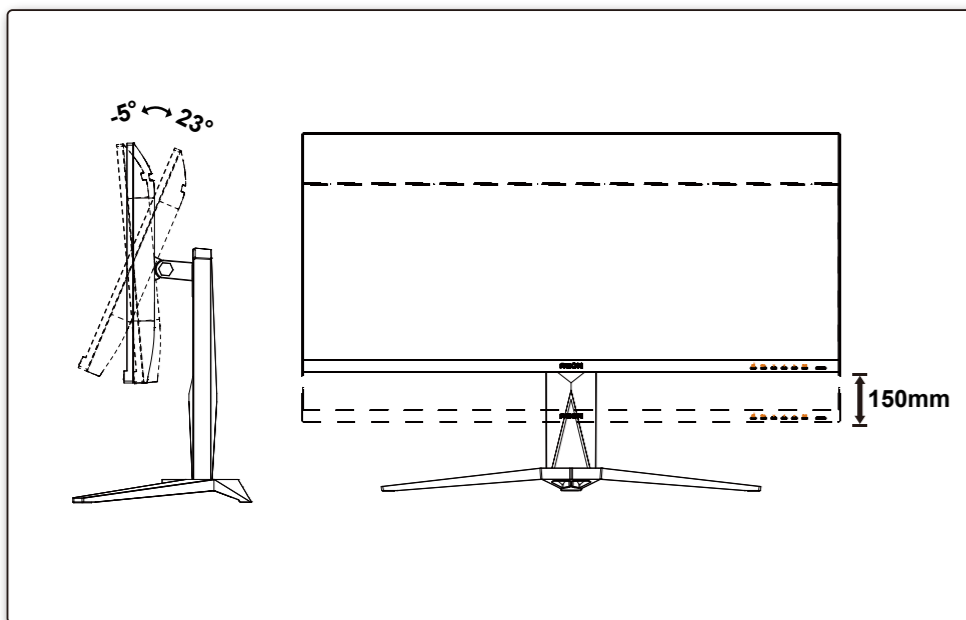
**AOC**

**HDMI**  
HIGH-DEFINITION MULTIMEDIA INTERFACE

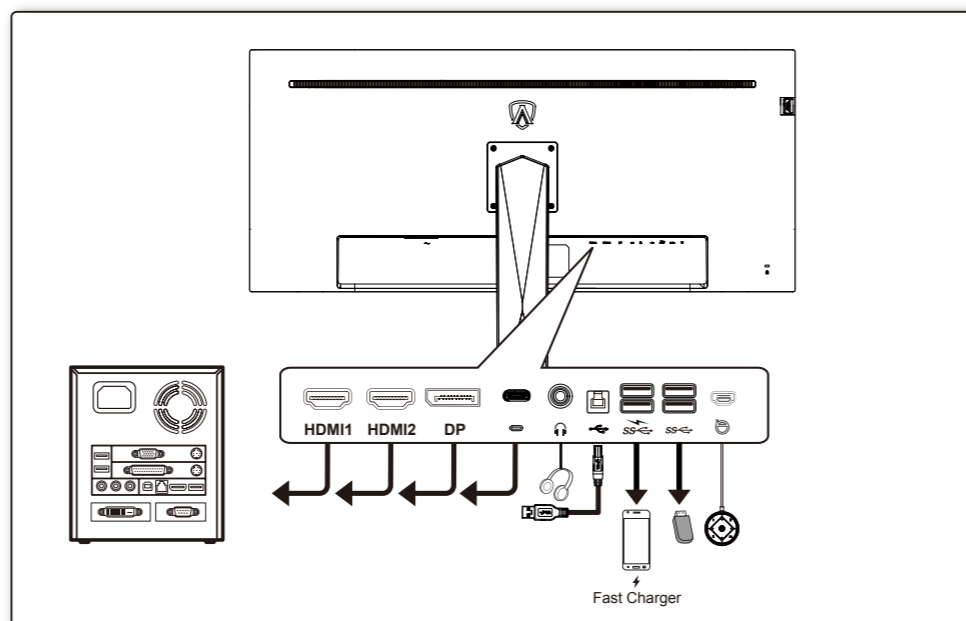
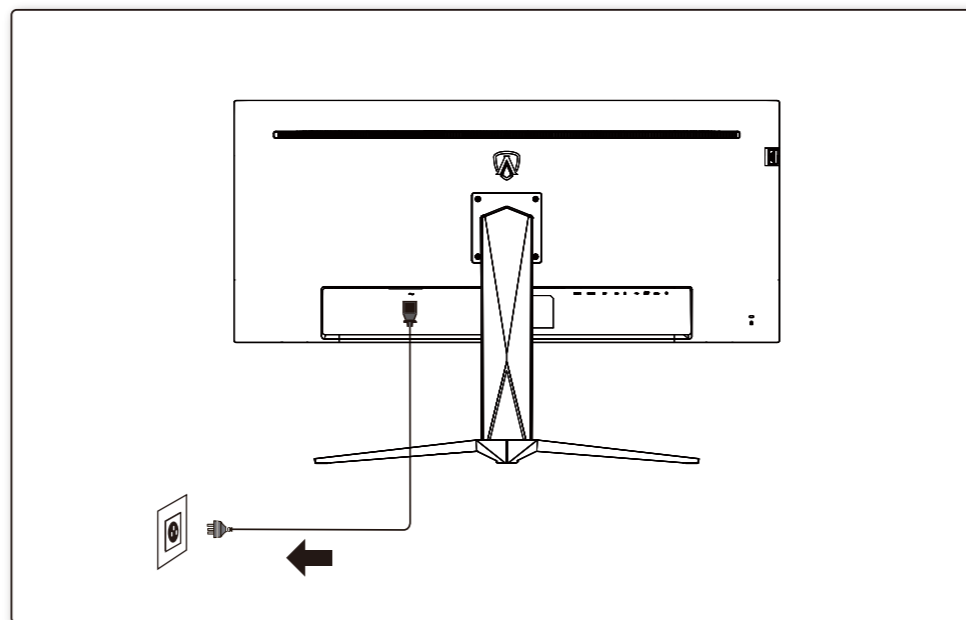
[www.aoc.com](http://www.aoc.com)  
©2022 AOC.All Rights Reserved

\*Different according to countries/regions  
Display design may differ from that illustrated

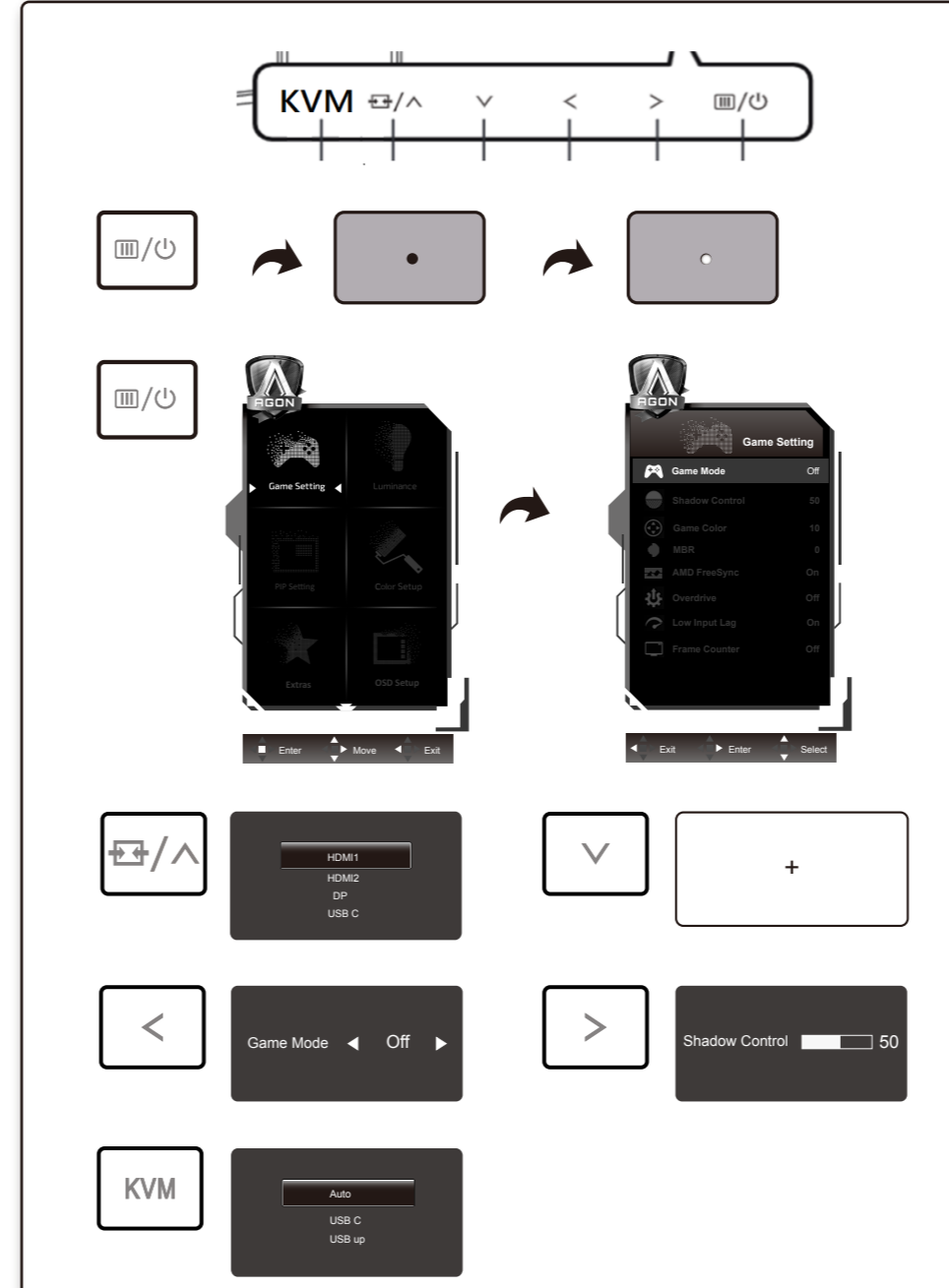
1



2



3



4

**General Specification**

Panel	Model name	AG405UXC		
	Driving system	TFT Color LCD		
	Viewable image size	100.4cm diagonal(39.5" Wide Screen)		
	Pixel pitch	0.26925mm(H) x 0.26925mm(V)		
Others	Horizontal scan range	30k~160kHz(HDMI) 30k~220kHz(DP/USB C)		
	Horizontal scan size(Maximum)	926.22mm		
	Vertical scan range	48-120Hz(HDMI) 48-144Hz(DP/USB C)		
	Vertical scan size(Maximum)	387.72mm		
	Max resolution	3440x1440@100Hz (HDMI) 3440x1440@144Hz (DP/USB C)		
	Plug & Play	VESA DDC2B/C1		
	Power source	100-240V~ 50/60Hz 3A		
	Power consumption	Typical (default brightness and contrast)	45W	
		Max. (brightness =100, contrast =100)	≤ 225W	
	Standby mode	≤ 0.5W		
Dimensions(with stand)		944.1x(477.7~627.7)x312.4mm(WxHxD)		
Net weight	11.88kg			
	Connector type	HDMIx2, DP,USB C, USBx4, USB Up, Earphone, Quick switch port		
Signal cable type	Detachable			
Environmental	Temperature	Operating	0°C~ 40°C	
		Non-operating	25°C~ 55°C	
	Humidity	Operating	10% ~ 85% (non-condensing)	
		Non-operating	5% ~ 93% (non-condensing)	
Altitude	Operating	0~ 5000 m (0~ 16404ft )		
	Non-operating	0~ 12192m (0~ 40000ft )		