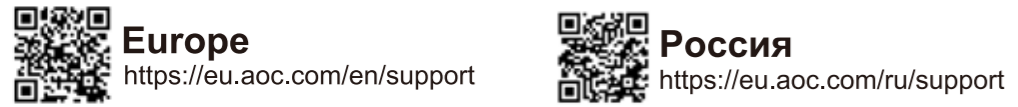
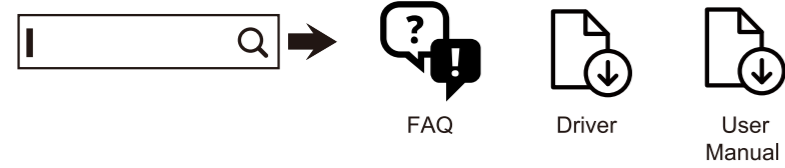


Find your product and get support



AOC

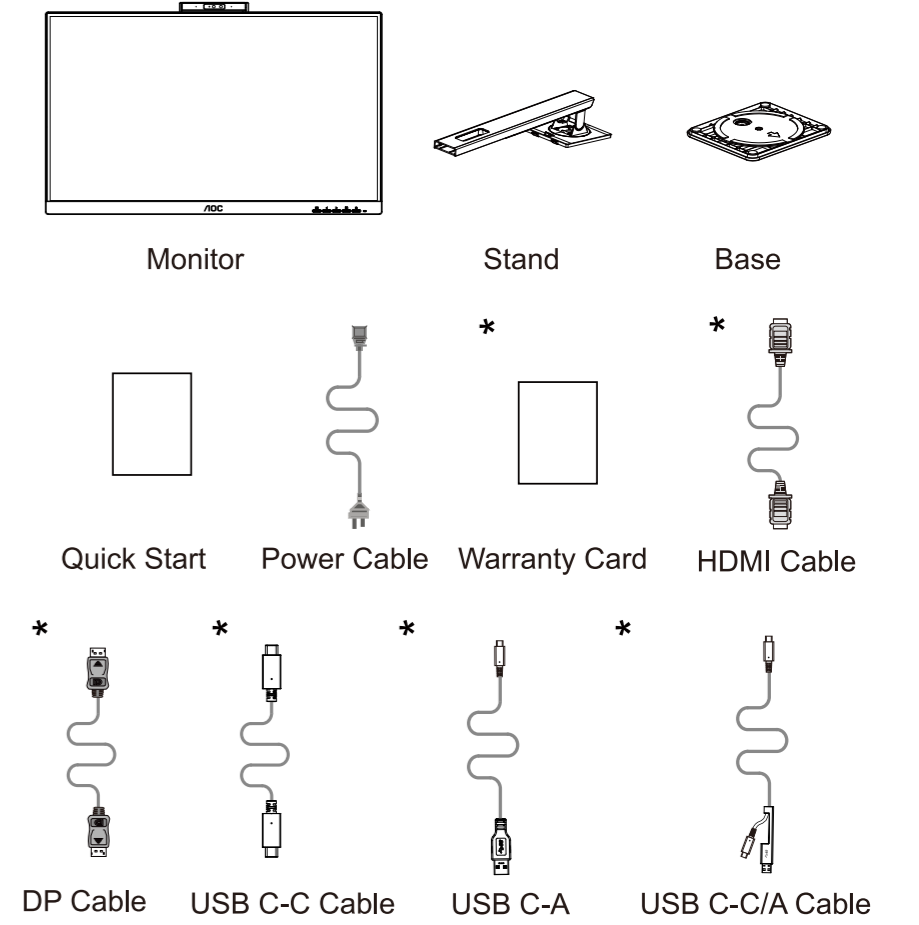


Quick Start

Q27P3CW

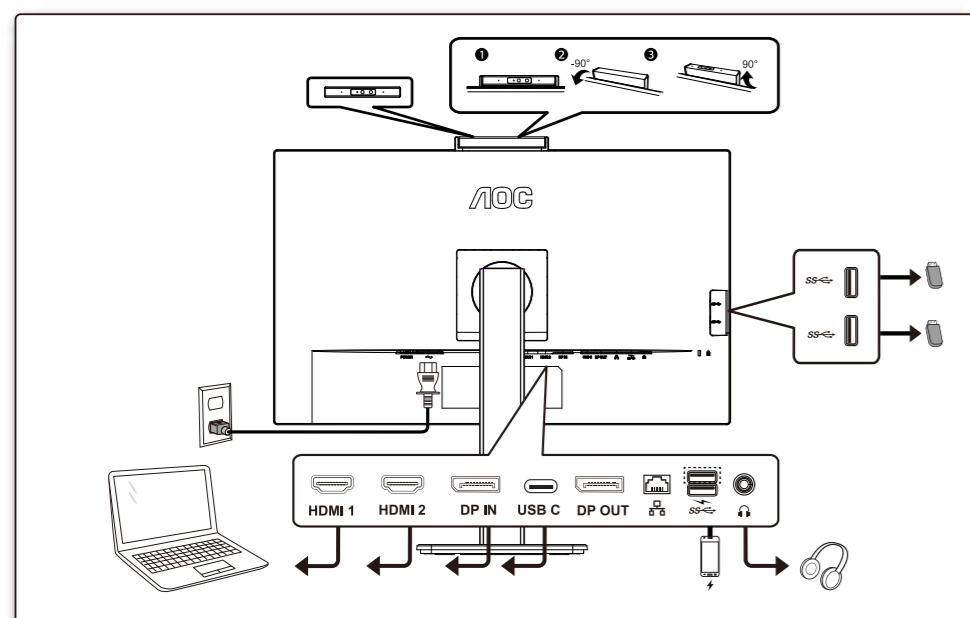
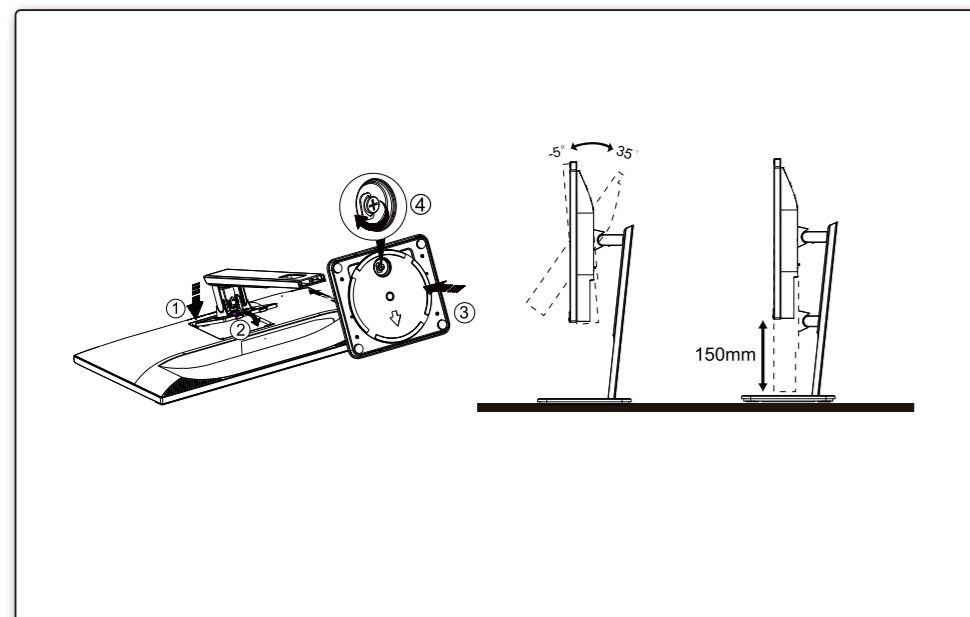
www.aoc.com
©2022 AOC.All Rights Reserved

HDMI
HIGH DEFINITION MULTIMEDIA INTERFACE

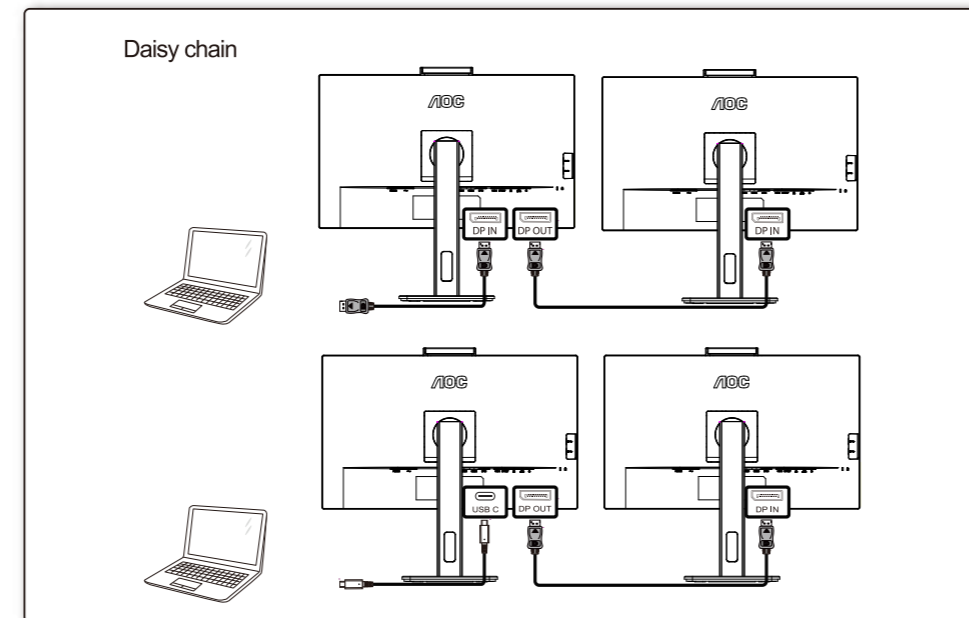
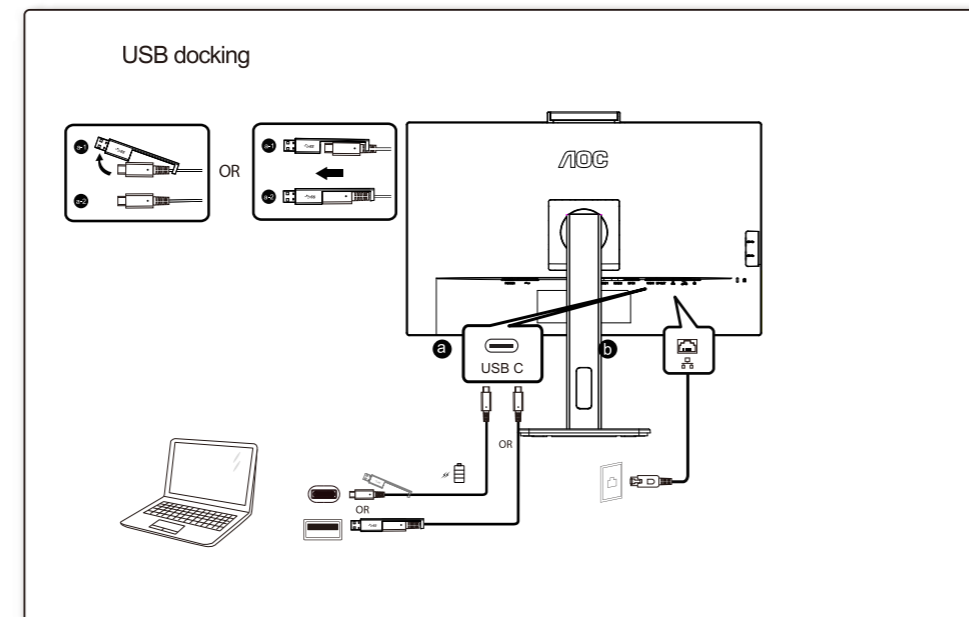


*Different according to countries/regions
Display design may differ from that illustrated

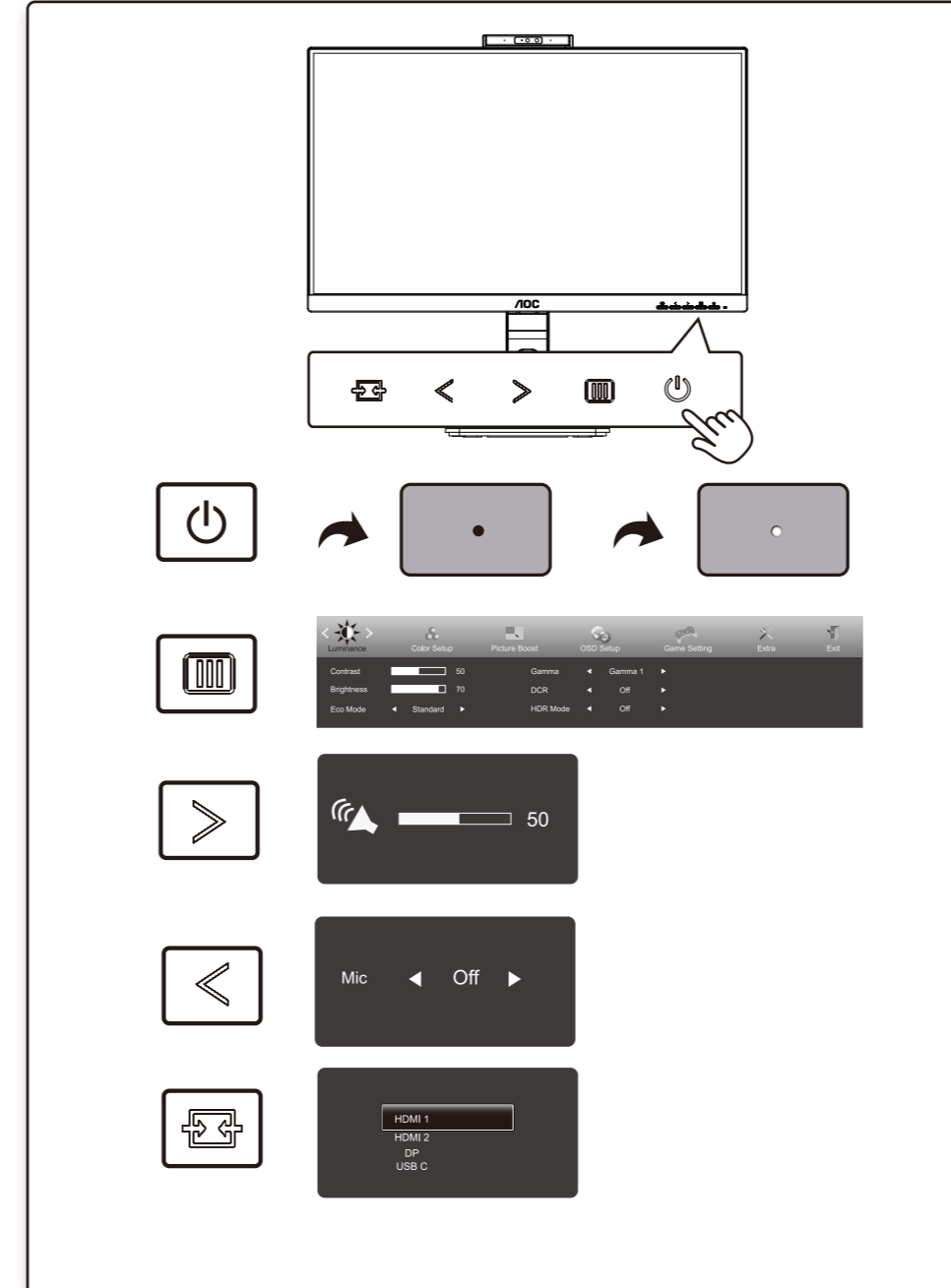
1



2



3



4

General Specification

Panel	Model Name	Q27P3CW		
	Driving System	TFT Color LCD		
Others	Viewable Image Size	68.5cm diagonal(27" Wide Screen)		
	Pixel Pitch	0.2331mm(H) x 0.2331mm(V)		
	Horizontal Scan Range	30k-114kHz		
	Horizontal Scan Size(Maximum)	596.736mm		
	Vertical Scan Range	48-75Hz		
	Vertical Scan Size(Maximum)	335.664mm		
	Max Resolution	2560x1440@75Hz		
	Plug & Play	VESA DDC2B/CI		
	Power Source	100-240V~, 50/60Hz, 1.5A		
	Power Consumption	Typical (Default Brightness And Contrast)	26W	
Max. (Brightness =100, Contrast =100)		≤ 152W		
Standby Mode	Standby Mode	≤ 0.5W		
	Dimensions(With Stand)	613.8x(413.0-561.2)x200.1mm(WxHxD)		
Net Weight	Net Weight	6.91kg		
	USB-C	Double-sided Connectable Plug		
USB C	Ultra-highSpeed	Data And Video Transmission		
	DP	Built-in DP Alt Mode		
	Power Supply	USB PD Version 3.0		
	Maximum Power Supply	Up to 65W (5V/3A, 7V/3A, 9V/3A, 10V/3A, 12V/3A, 15V/3A, 20V/3.25A)		
Physical Characteristics	Connector Type	HDMIx2/DP IN/DP OUT/Earphone/RJ45 input/USB C/USB3.2 Gen1x4(Includes 1 Fast Charger)		
	RJ45	Ethernet LAN (10M/100M/1000M)		
Environmental	Signal Cable Type	Detachable		
	Temperature	Operating	0°C~ 40°C	
		Non-Operating	-25°C~55°C	
	Humidity	Operating	10%~85% (Non-Condensing)	
		Non-Operating	5%~93% (Non-Condensing)	
	Altitude	Operating	0~5000m (0~16404ft)	
Non-Operating		0~12192m (0~40000ft)		