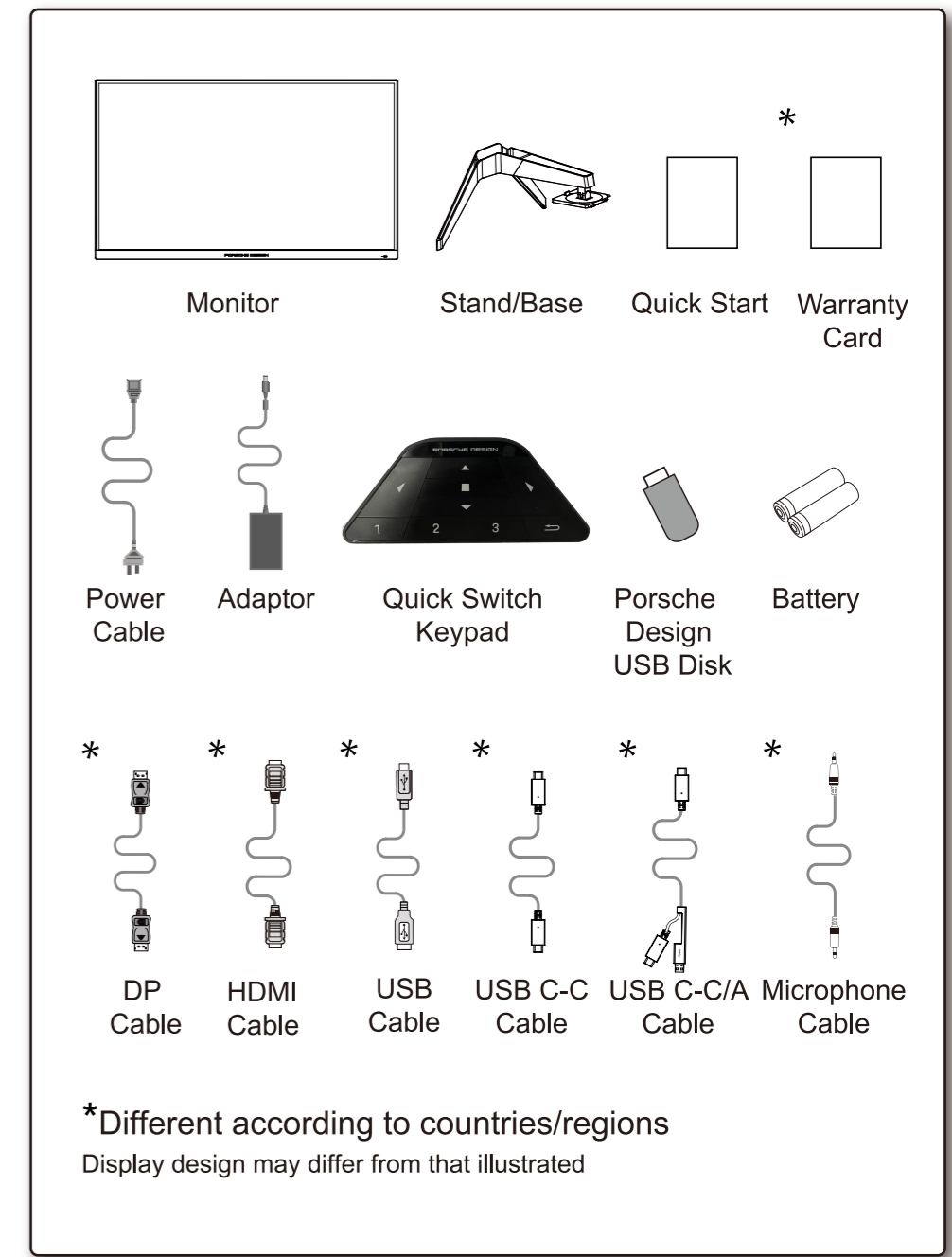
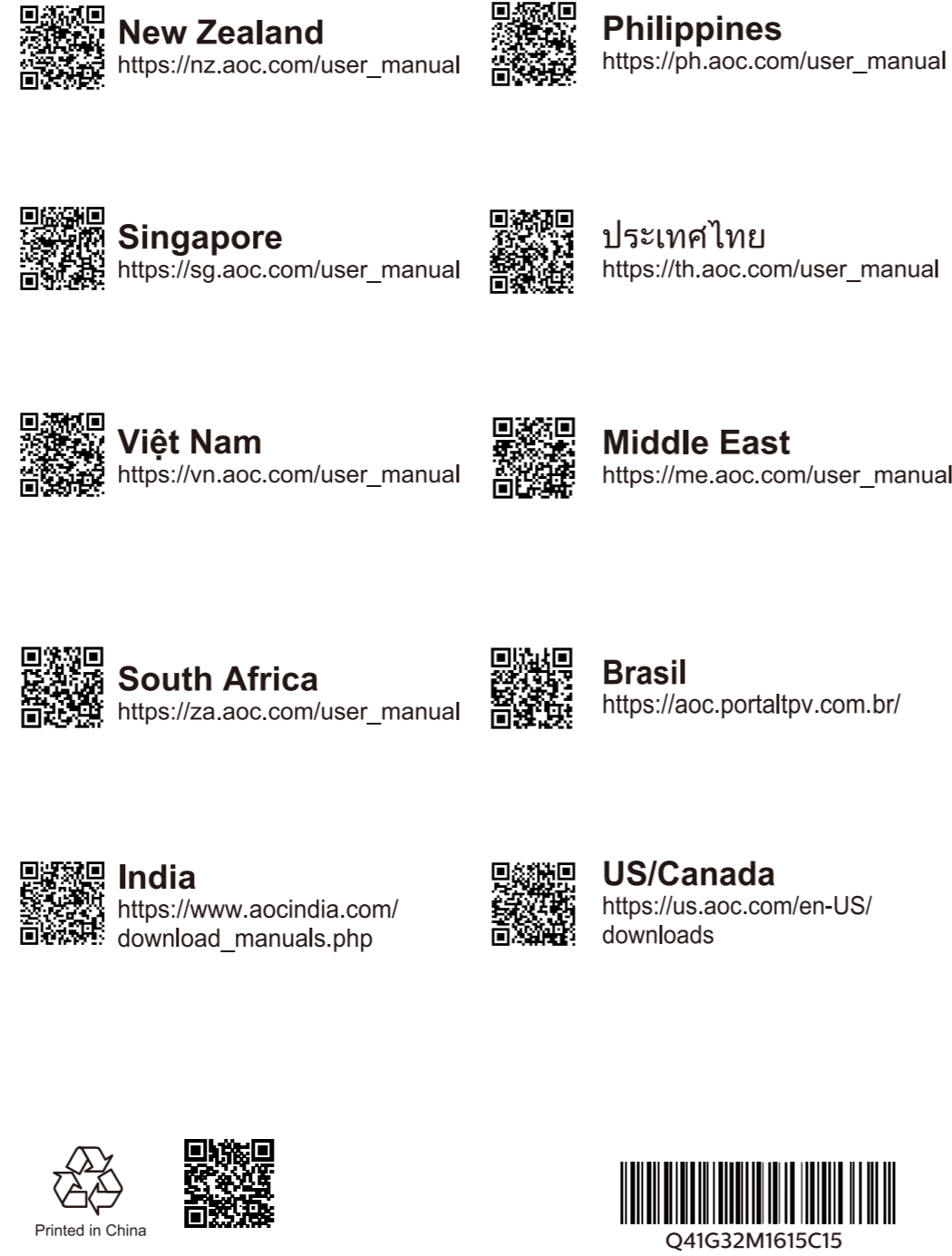
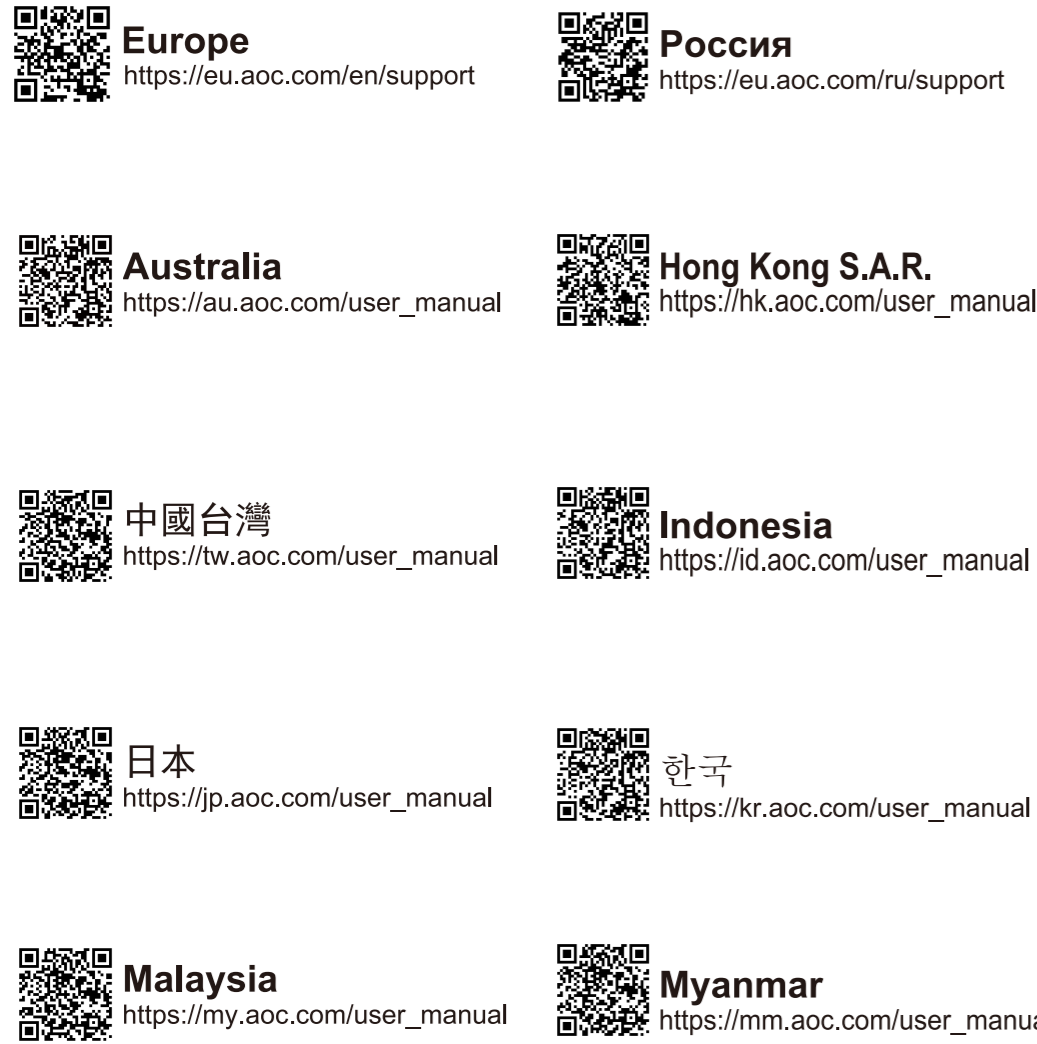
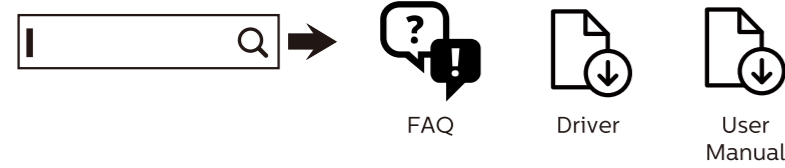
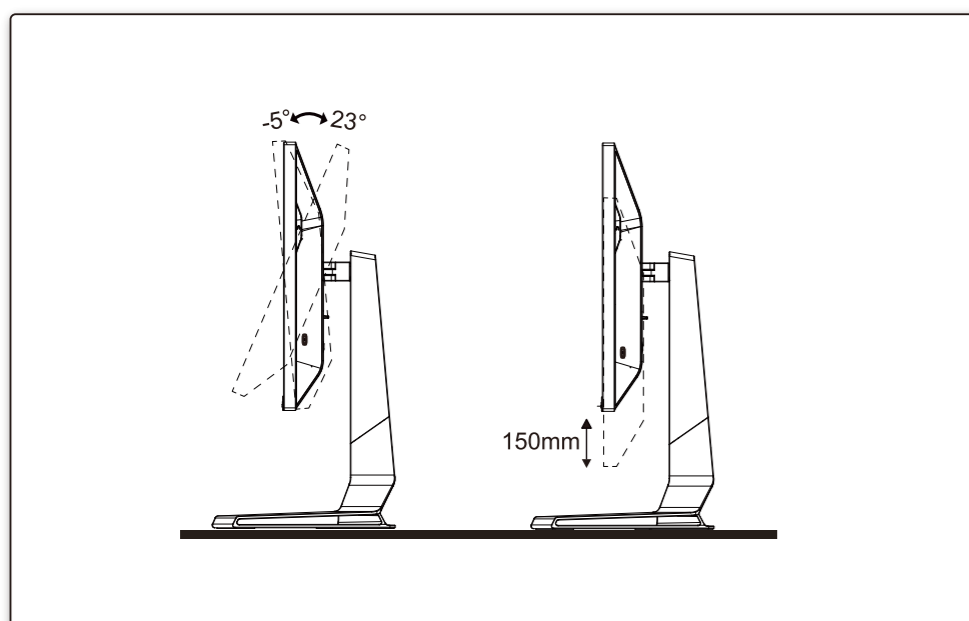
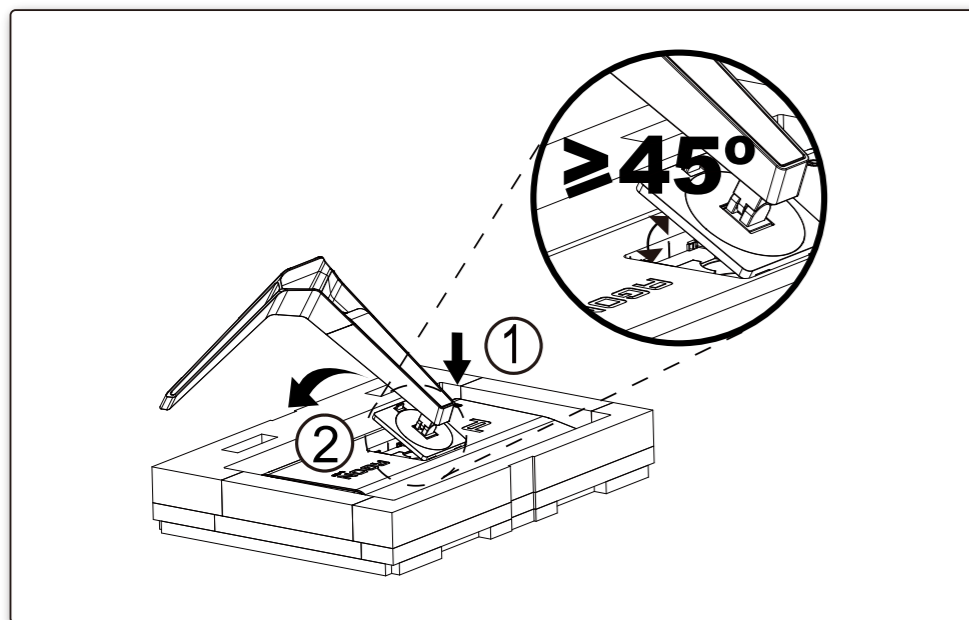


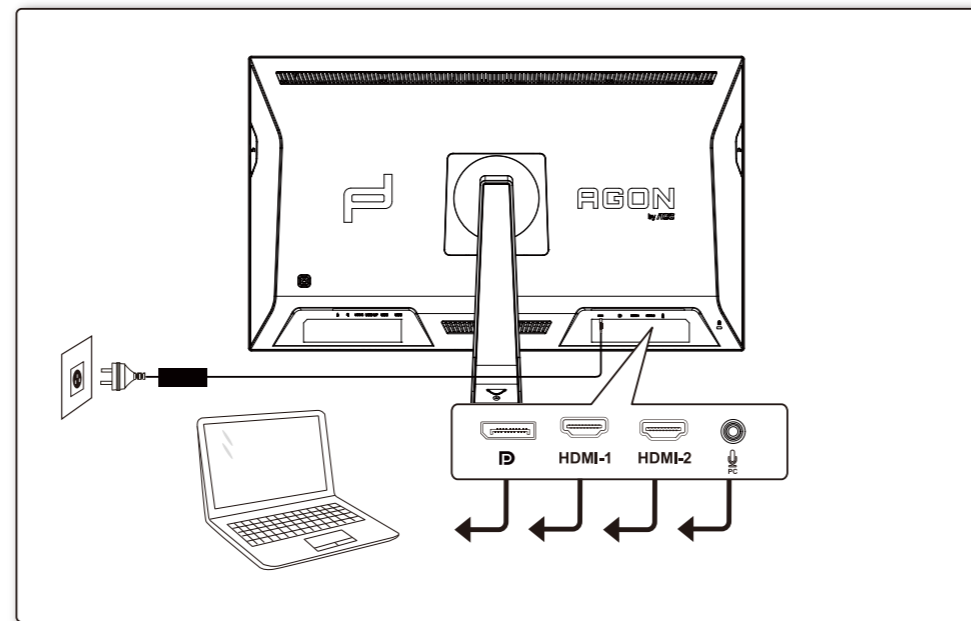
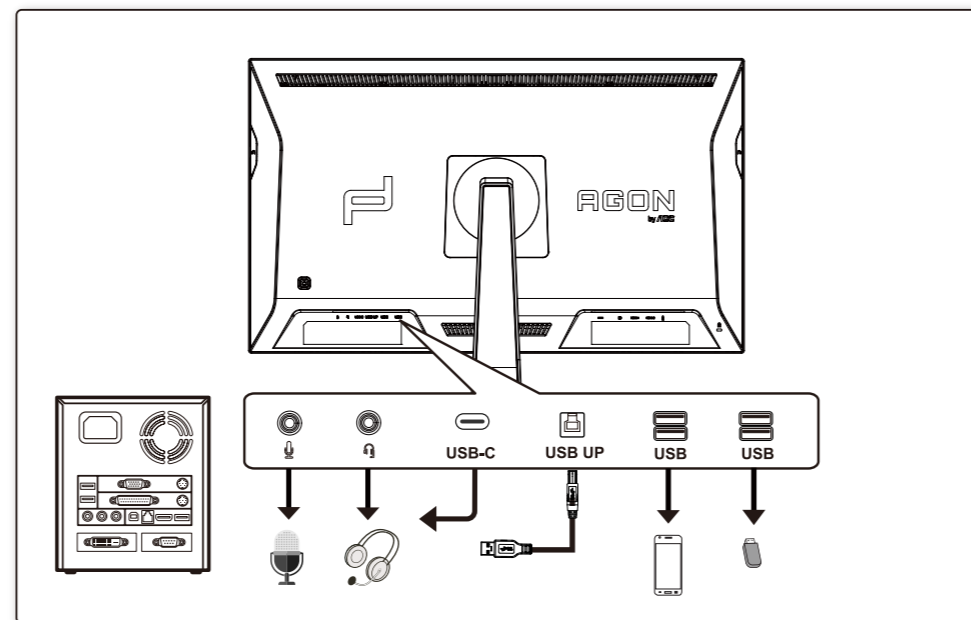
Find your product and get support



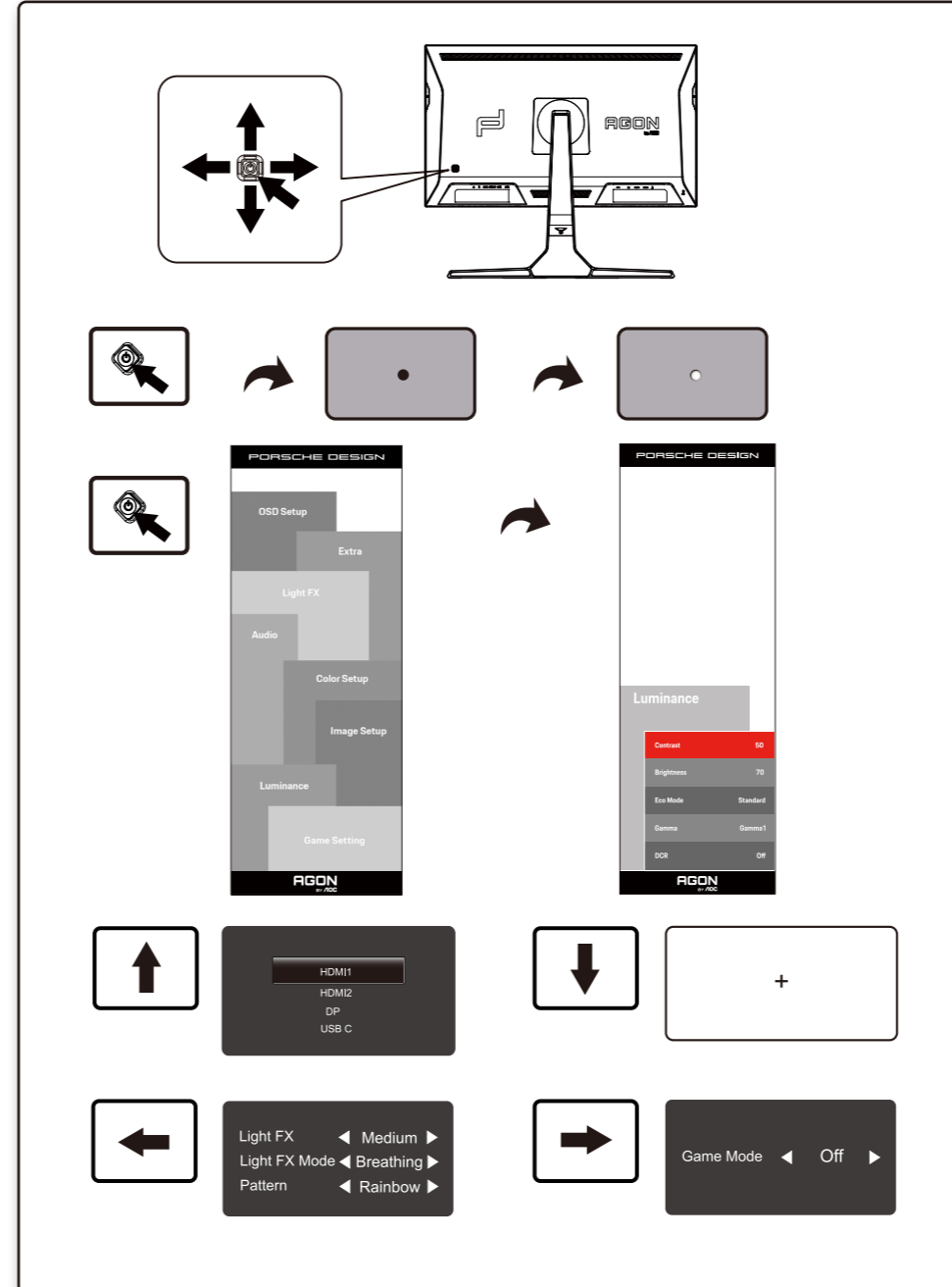
1



2



3



4

General Specification

Panel	Model Name	PD32M		
	Driving System	TFT Color LCD		
	Viewable Image Size	80.0cm diagonal(31.5" Wide Screen)		
	Pixel Pitch	0.181mm(H) x 0.181mm(V)		
Others	Horizontal Scan Range	30k-330kHz		
	Horizontal Scan Size(Maximum)	697.3056mm		
	Vertical Scan Range	23-120Hz(USB C) 48-144Hz(HDMI/DP)		
	Vertical Scan Size(Maximum)	392.2344mm		
	Max Resolution	3840x2160@120Hz(USB C) 3840x2160@144Hz(HDMI/DP)		
	Plug & Play	VESA DDC2B/CI		
	Power Source	19.5Vdc, 16.9A		
	Power Consumption	Typical (default brightness and contrast)	80W	
		Max. (brightness = 100, contrast = 100)	≤ 330W	
		Standby mode	≤ 0.5W	
Dimensions(with stand)	715.2x(462.5~612.5)x290.1mm(WxHxD)			
Net Weight	11.52kg			
Physical Characteristics	Connector Type	HDMIx2/DP/USB C/USBx4/Earphone/Microphone In&Out		
	Signal Cable Type	Detachable		
Environmental	Temperature	Operating	0°C~ 35°C	
		Non-Operating	-25°C~55°C	
	Humidity	Operating	10%~85% (non-condensing)	
		Non-Operating	5%~93% (non-condensing)	
	Altitude	Operating	0~5000m (0~16404ft)	
		Non-Operating	0~12192m (0~40000ft)	