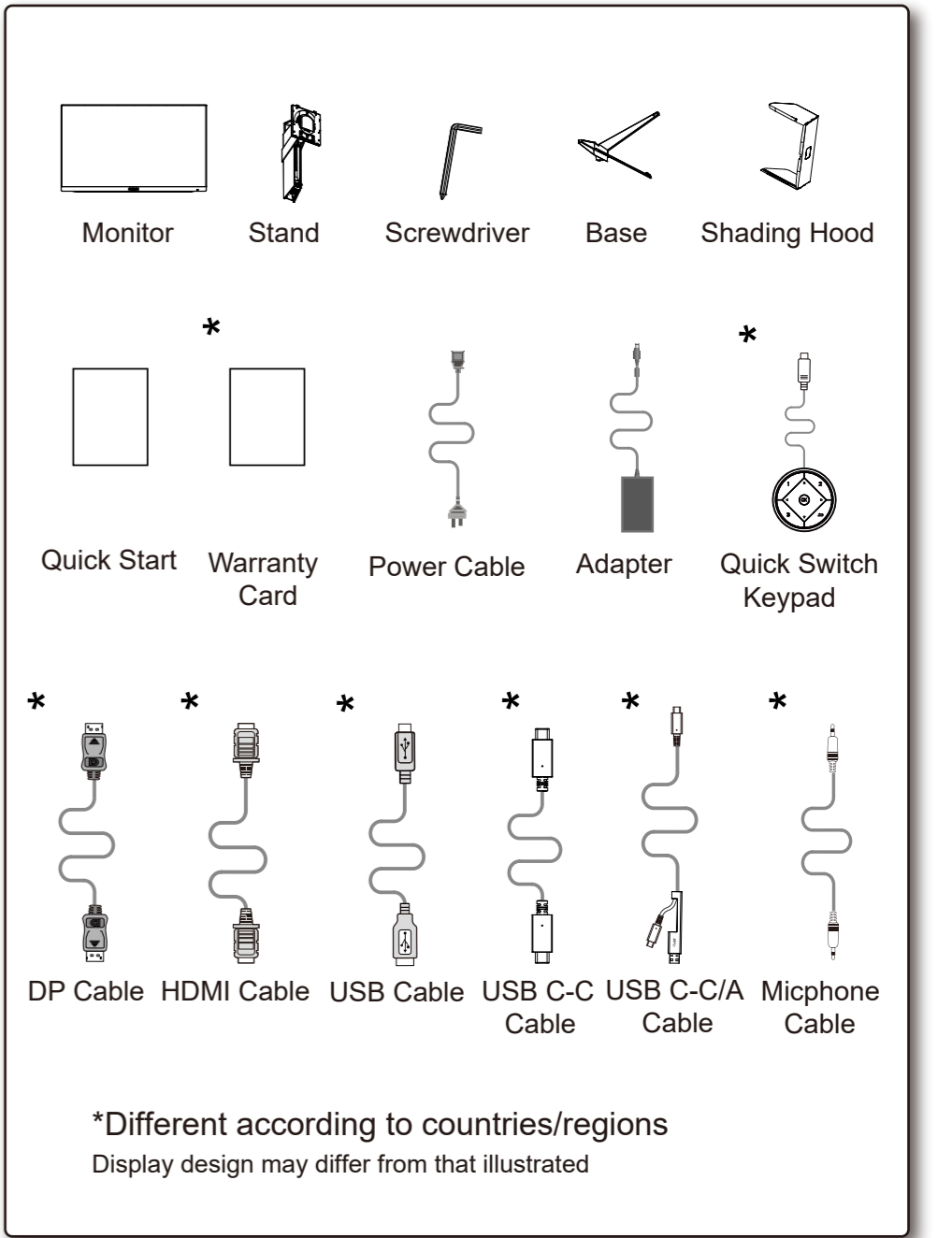
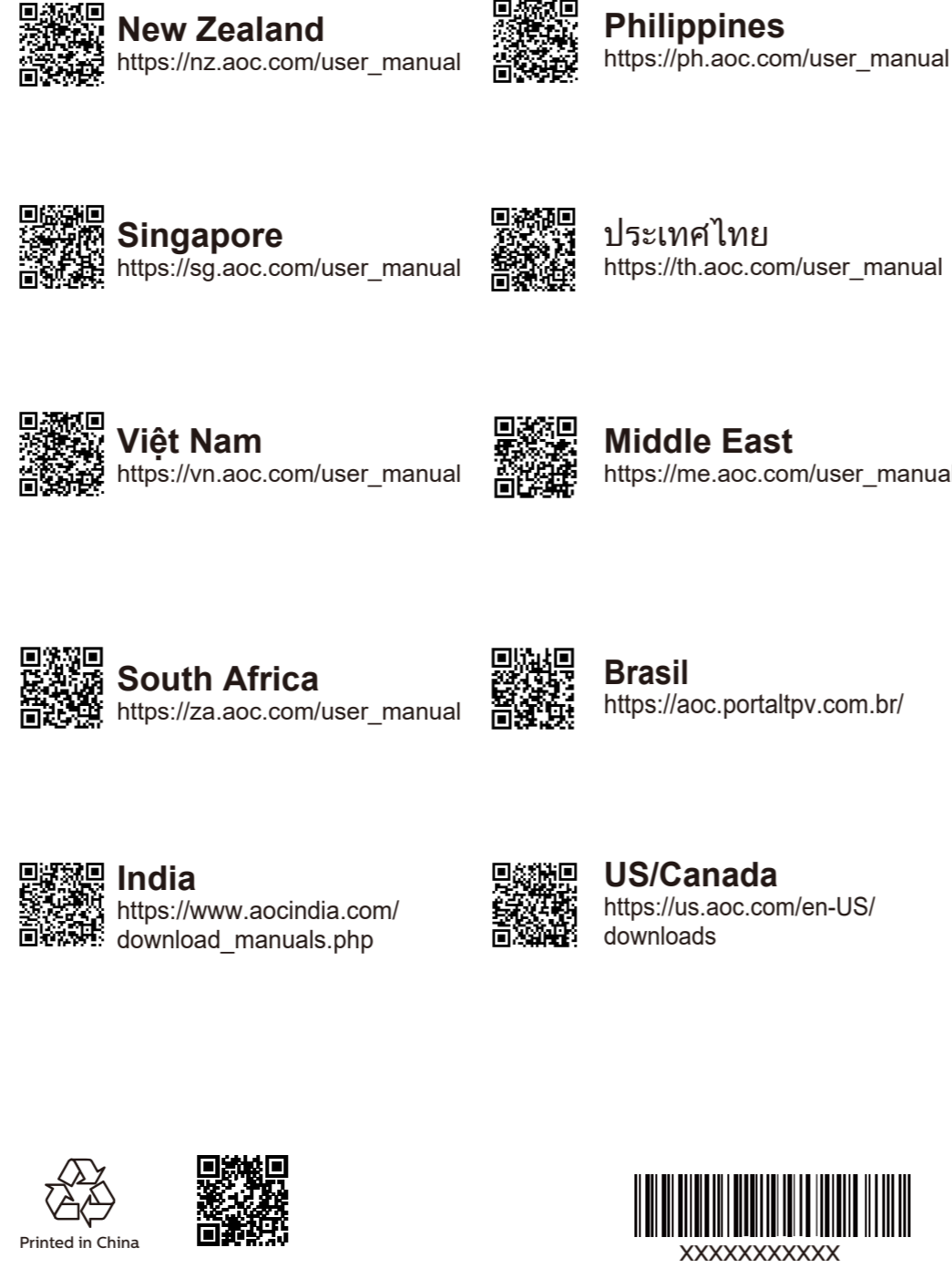
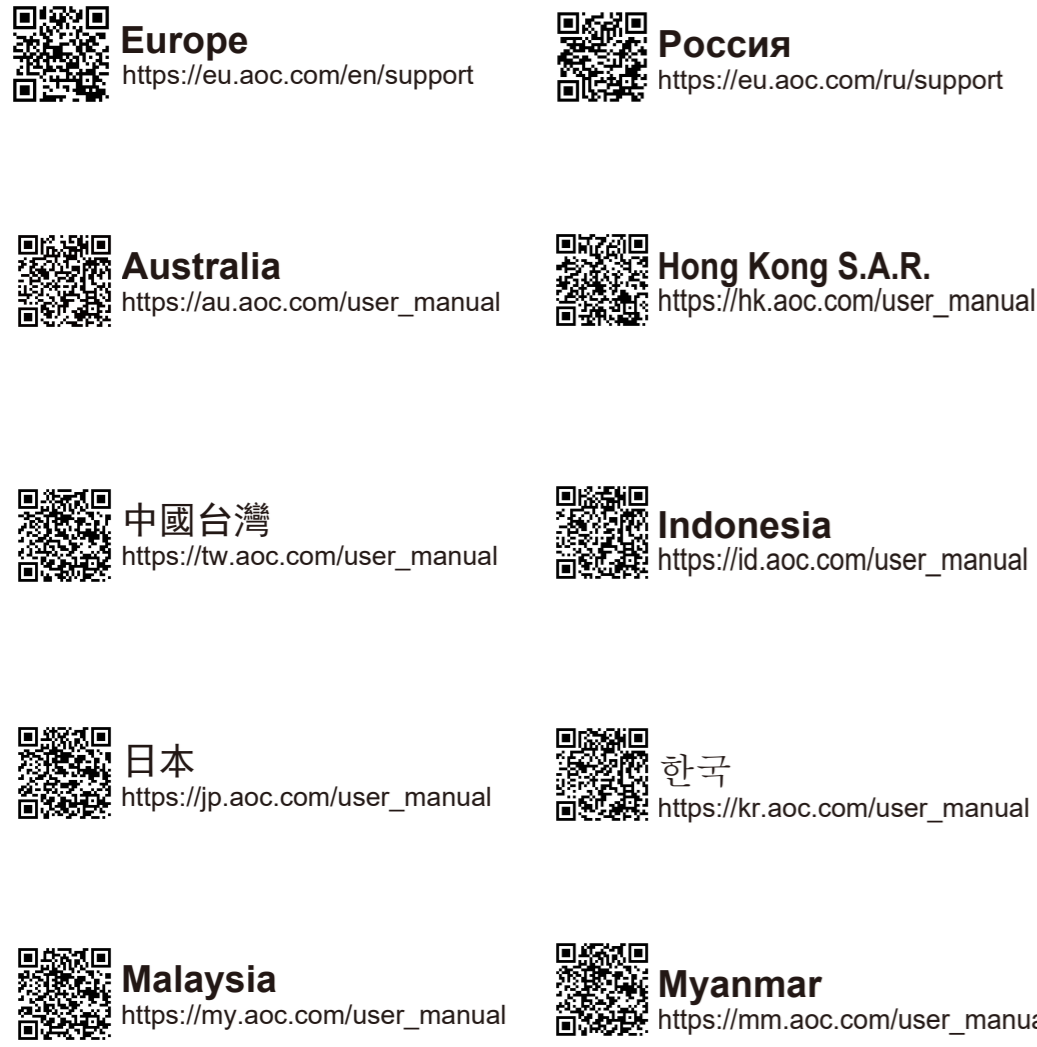
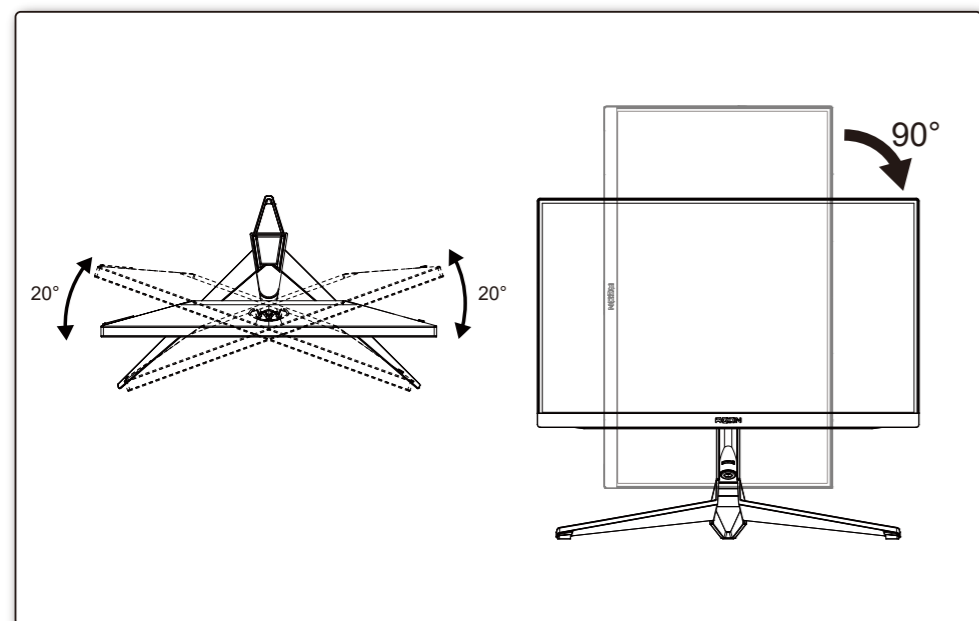
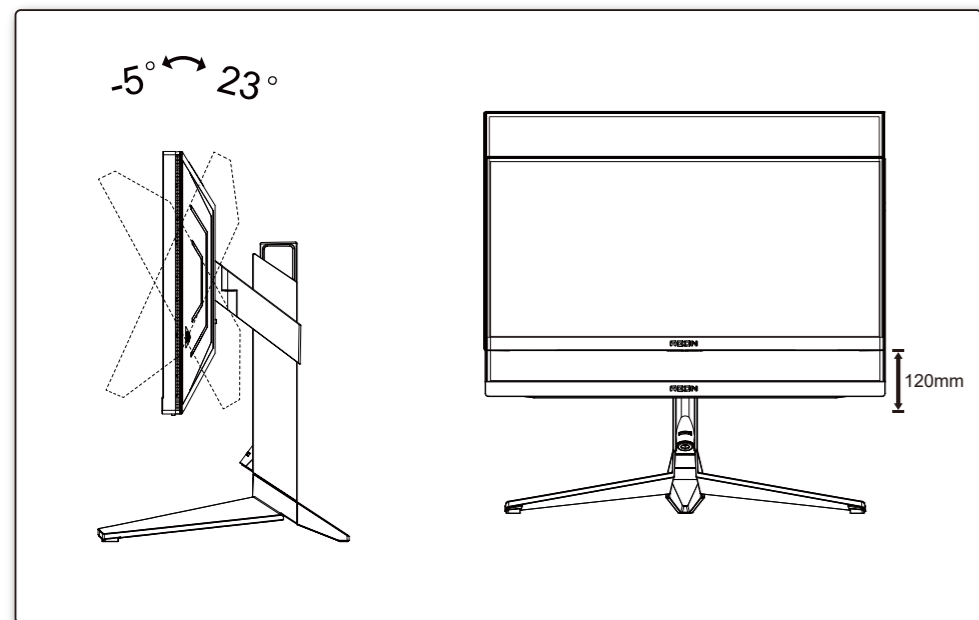


Find your product and get support

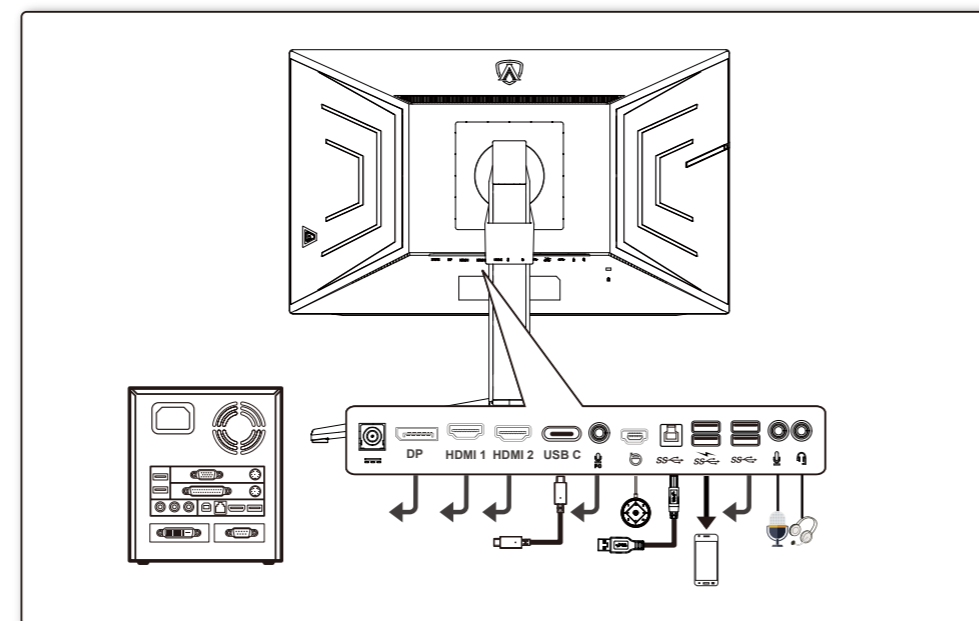
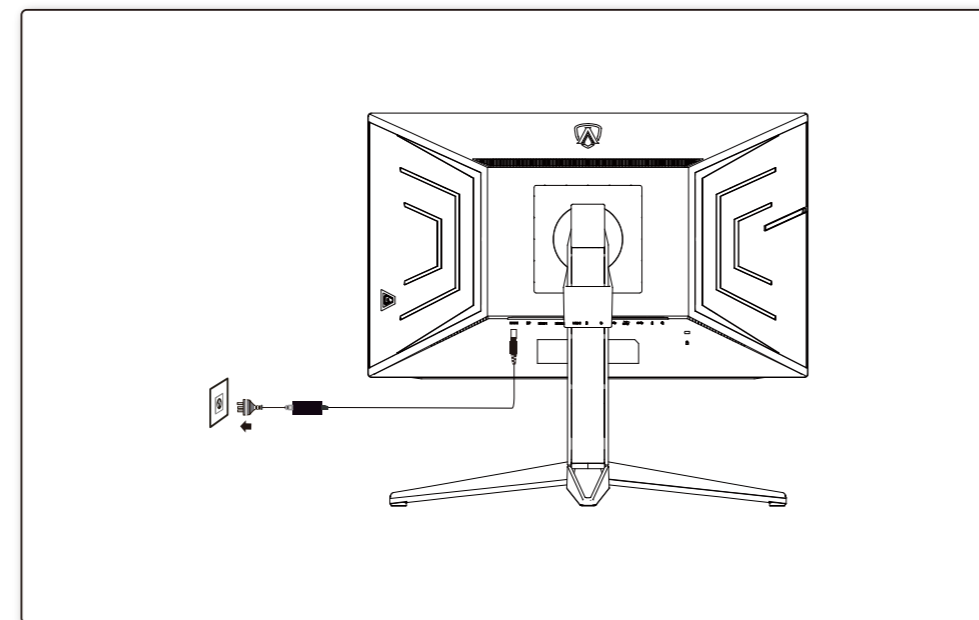


*Different according to countries/regions
Display design may differ from that illustrated

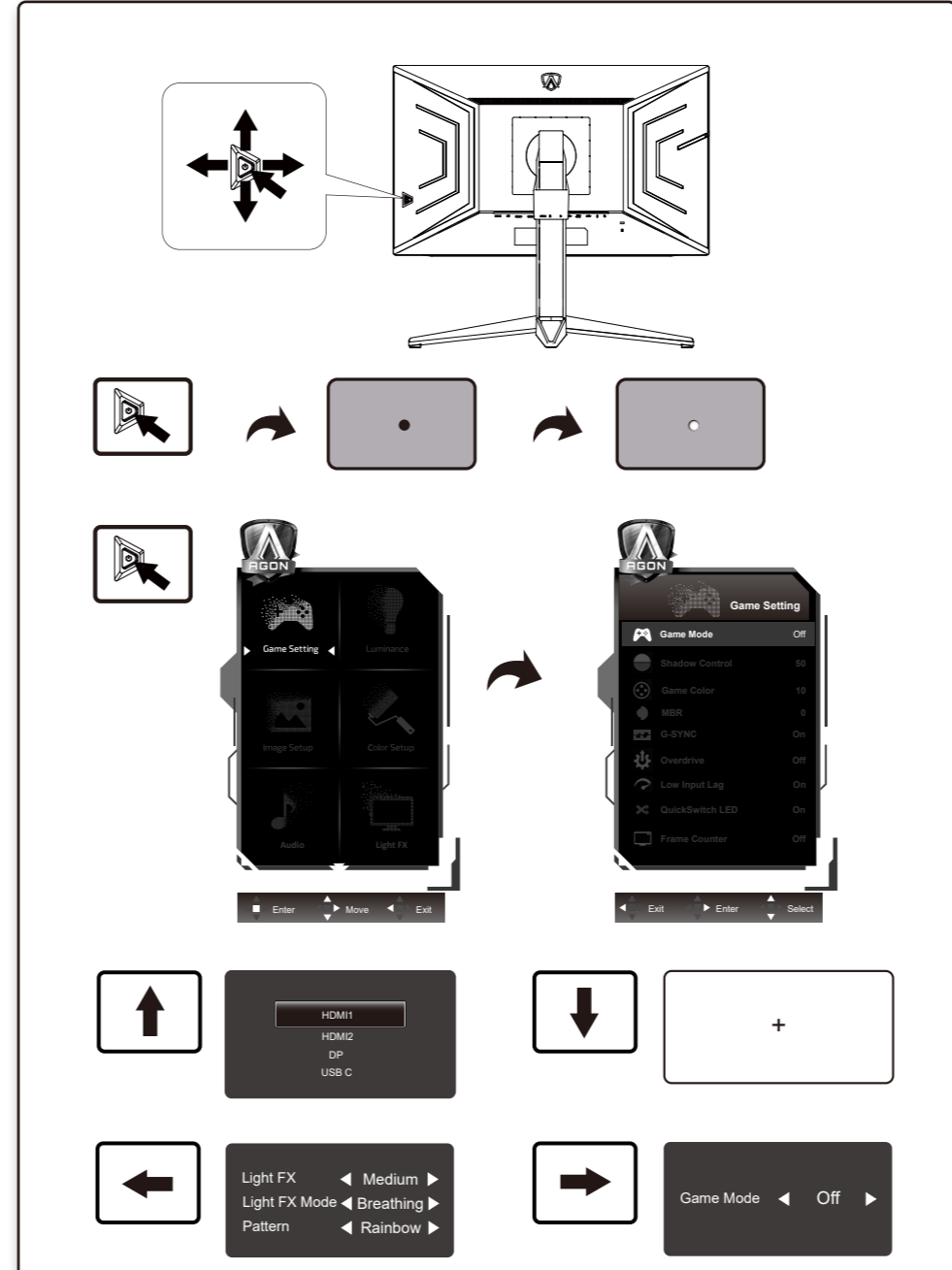
1



2



3



4

General Specification

Panel	Model name	AG274QZM	
	Driving system	TFT Color LCD	
	Viewable image size	68.5 cm diagonal	
	Pixel pitch	0.2331mm(H) x 0.2331mm(V)	
Others	Horizontal scan range	30k~360kHz	
	Horizontal scan size(Maximum)	596.736mm	
	Vertical scan range	48-240Hz	
	Vertical scan size(Maximum)	335.664mm	
	Max resolution	2560x1440@240Hz(HDMI/DP/USB C)	
	Plug & Play	VESA DDC2B/CI	
	Power source	19.5Vdc, 16.9A or 20Vdc, 14A	
Power consumption	Typical (default brightness and contrast)	58W	
	Max. (brightness =100, contrast =100)	≤ 250W	
	Standby mode	≤ 0.5W	
Dimensions(with stand)	612.9x(427.3~547.3)x352.1mm(WxHxD)		
Net weight	8.35kg		
Physical characteristics	Connector type	HDMI/ DP/ USB/ Earphone out/ Microphone In/Out	
	Signal cable type	Detachable	
Environmental	Temperature	Operating	0°C~ 40°C
		Non-operating	-25°C~ 55°C
	Humidity	Operating	10% ~ 85% (non-condensing)
		Non-operating	5% ~ 93% (non-condensing)
	Altitude	Operating	0~ 5000 m (0~ 16404ft)
Non-operating		0~ 12192m (0~ 40000ft)	