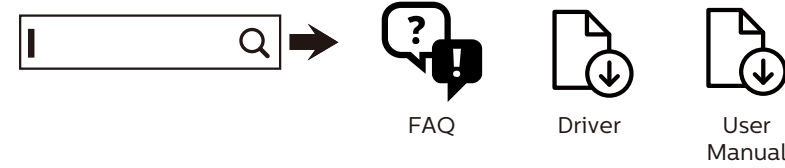


Find your product and get support



**Europe**  
<https://eu.aoc.com/en/support>

**Россия**  
<https://eu.aoc.com/ru/support>

**Australia**  
[https://au.aoc.com/user\\_manual](https://au.aoc.com/user_manual)

**Hong Kong S.A.R.**  
[https://hk.aoc.com/user\\_manual](https://hk.aoc.com/user_manual)

**中國台灣**  
[https://tw.aoc.com/user\\_manual](https://tw.aoc.com/user_manual)

**Indonesia**  
[https://id.aoc.com/user\\_manual](https://id.aoc.com/user_manual)

**日本**  
[https://jp.aoc.com/user\\_manual](https://jp.aoc.com/user_manual)

**한국**  
[https://kr.aoc.com/user\\_manual](https://kr.aoc.com/user_manual)

**Malaysia**  
[https://my.aoc.com/user\\_manual](https://my.aoc.com/user_manual)

**Myanmar**  
[https://mm.aoc.com/user\\_manual](https://mm.aoc.com/user_manual)

**New Zealand**  
[https://nz.aoc.com/user\\_manual](https://nz.aoc.com/user_manual)

**Philippines**  
[https://ph.aoc.com/user\\_manual](https://ph.aoc.com/user_manual)

**Singapore**  
[https://sg.aoc.com/user\\_manual](https://sg.aoc.com/user_manual)

**ประเทศไทย**  
[https://th.aoc.com/user\\_manual](https://th.aoc.com/user_manual)

**Việt Nam**  
[https://vn.aoc.com/user\\_manual](https://vn.aoc.com/user_manual)

**Middle East**  
[https://me.aoc.com/user\\_manual](https://me.aoc.com/user_manual)

**South Africa**  
[https://za.aoc.com/user\\_manual](https://za.aoc.com/user_manual)

**Brasil**  
<https://aoc.portaltv.com.br/>

**India**  
[https://www.aocindia.com/download\\_manuals.php](https://www.aocindia.com/download_manuals.php)

**US/Canada**  
<https://us.aoc.com/en-US/downloads>



**AGON**  
 PRO

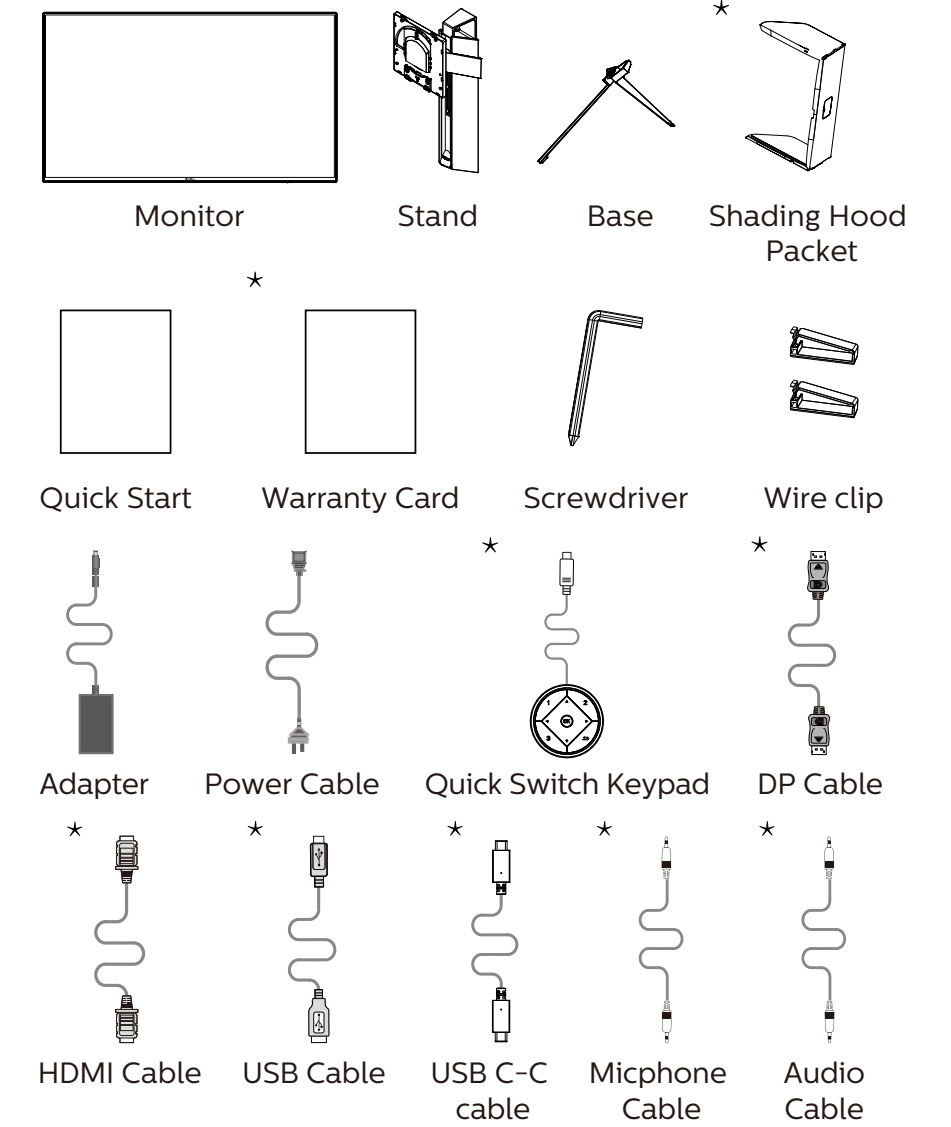


Quick Start  
 AG274UXP

**AOC**

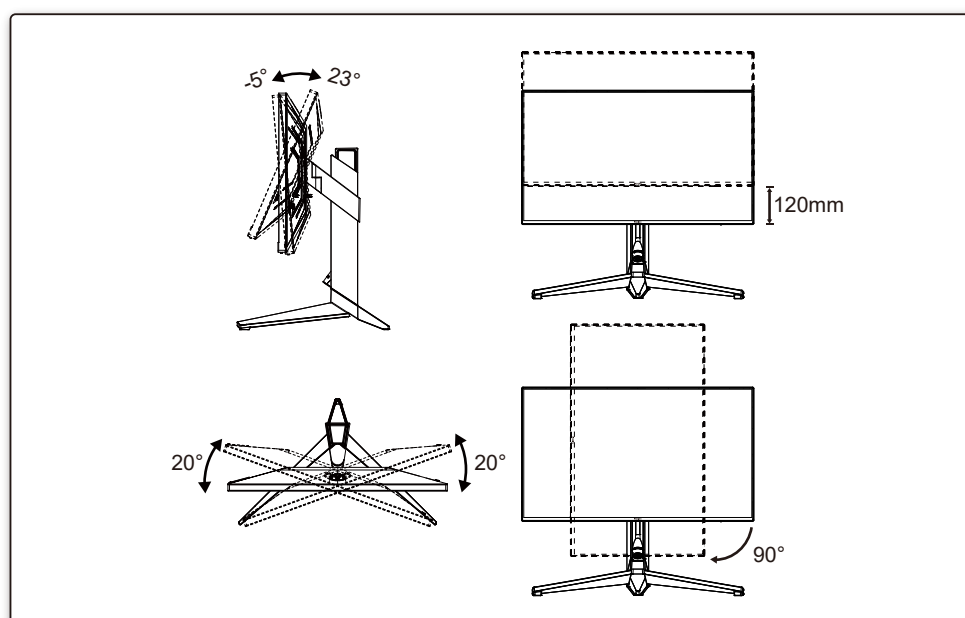
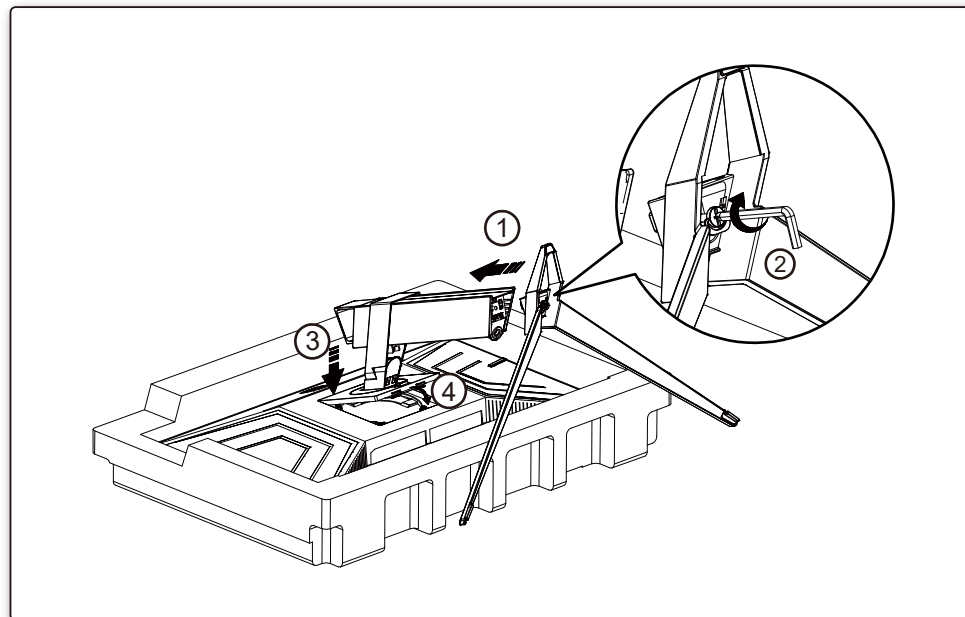
www.aoc.com  
 ©2022 AOC.All Rights Reserved

**HDMI**  
 HIGH-DEFINITION MULTIMEDIA INTERFACE

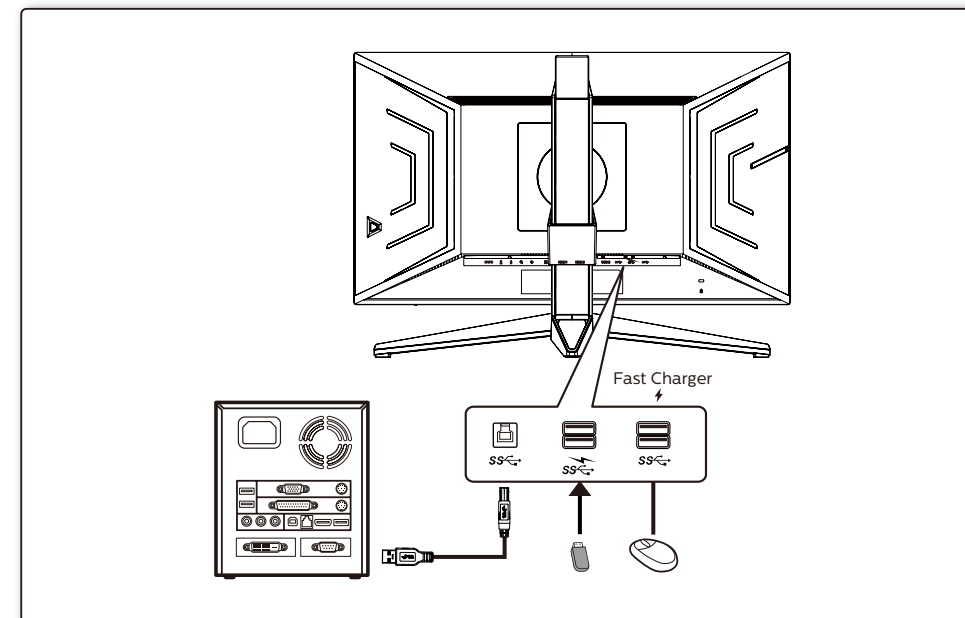
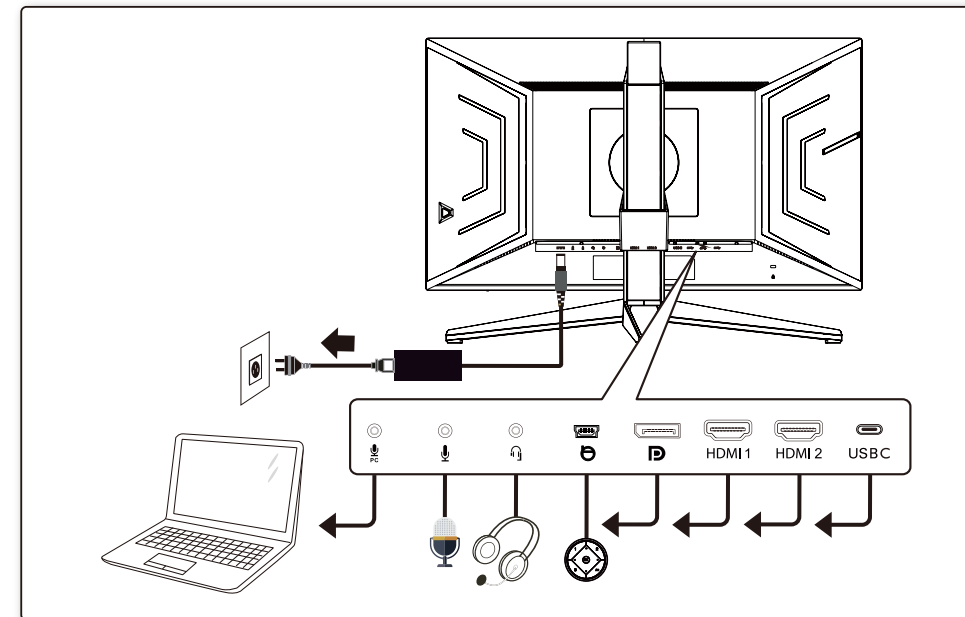


\*Different according to countries/regions  
 Display design may differ from that illustrated

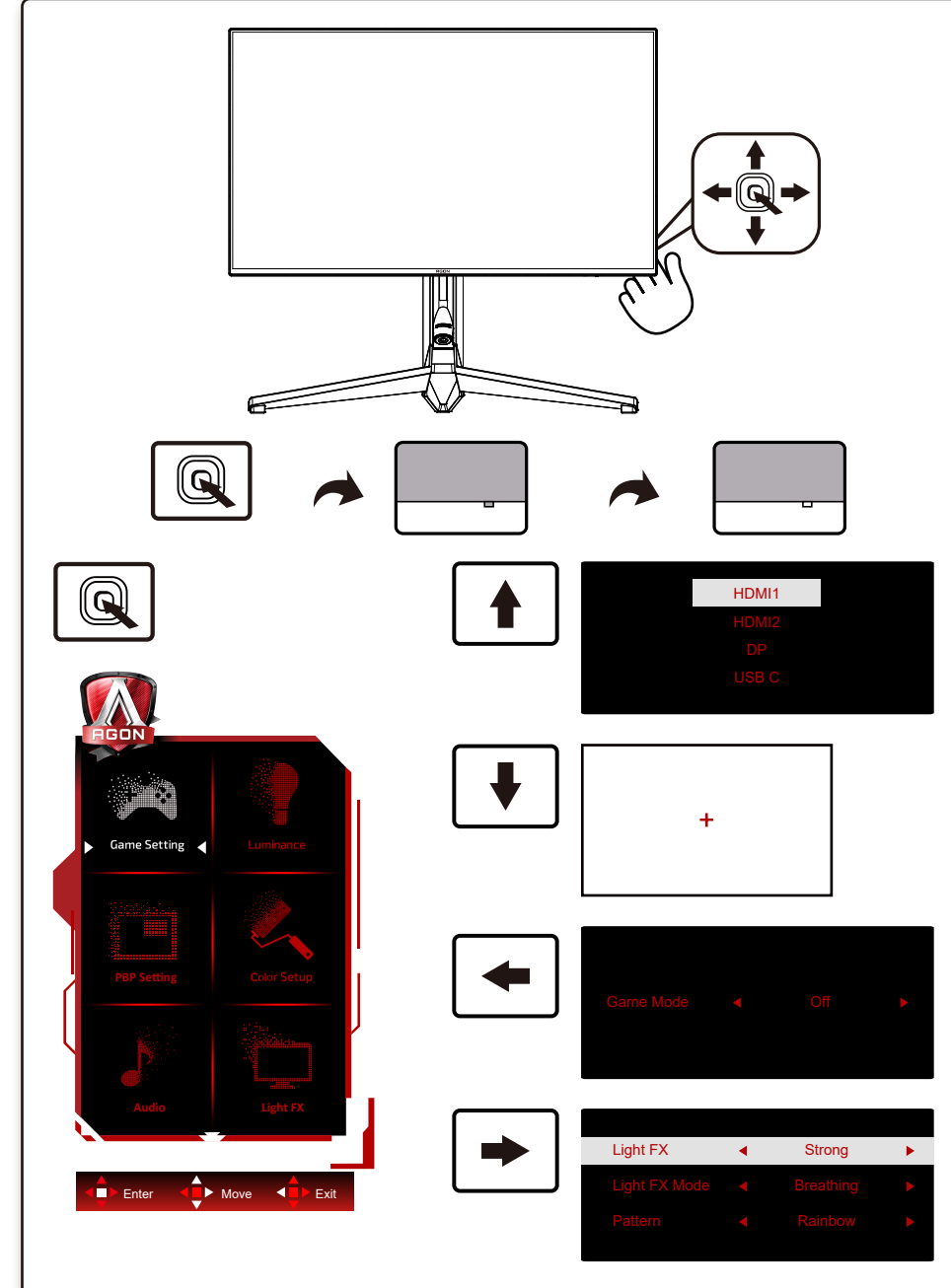
**1**



**2**



**3**



**4**

**General Specification**

Panel	Model name	AG274UXP		
	Driving system	TFT Color LCD		
Panel	Viewable Image Size	68.5cm diagonal(27" Wide Screen)		
	Pixel pitch	0.1554mm(H) x 0.1554mm(V)		
Panel	Horizontal scan range	30k~255kHz		
	Horizontal scan Size(Maximum)	596.736mm		
Panel	Vertical scan range	48-120Hz (USB C) 48-144Hz (HDMI) 48-160Hz (DP)		
	Vertical Scan Size(Maximum)	335.664mm		
Panel	Max resolution	3840x2160@120Hz (USB C) 3840x2160@144Hz (HDMI) 3840x2160@160Hz (DP)*		
	Plug & Play	VESA DDC2B/CI		
Others	Power Source	19.5Vdc, 11.79A		
	Power Consumption	Typical(default brightness and contrast)	63W	
Max. (brightness = 100, contrast = 100)		≤210W		
Others	Standby mode	≤0.5W		
	Dimensions(with stand)	607.7x(425.0~545.0)x352.0mm(WxHxD)		
Others	Net Weight	7.9kg		
Physical Characteristics	Connector Type	HDMI/ DP/ USB/ USB C/ Quick Switch Port/ Earphone out/ Microphone In /Out		
	Signal Cable Type	Detachable		
Environmental	Temperature	Operating	0°C~40°C	
		Non-Operating	-25°C~55°C	
	Humidity	Operating	10%~85% (non-condensing)	
		Non-Operating	5%~93% (non-condensing)	
Altitude	Operating	0~5000m (0~16404ft)		
	Non-Operating	0~12192m (0~40000ft)		

\*: To enable 4K resolution at 160 Hz with DSC, a graphic card supporting DSC must be used.