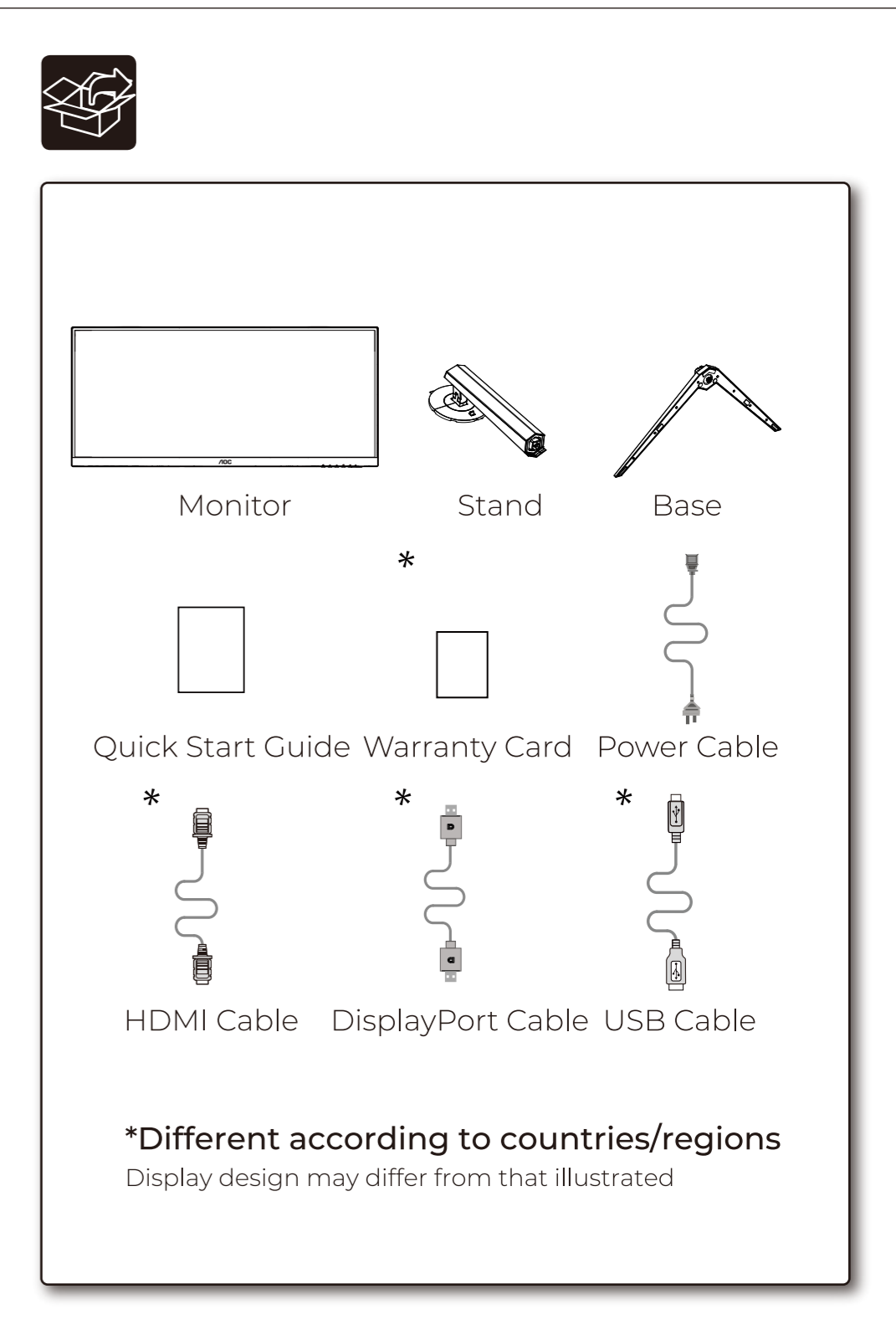
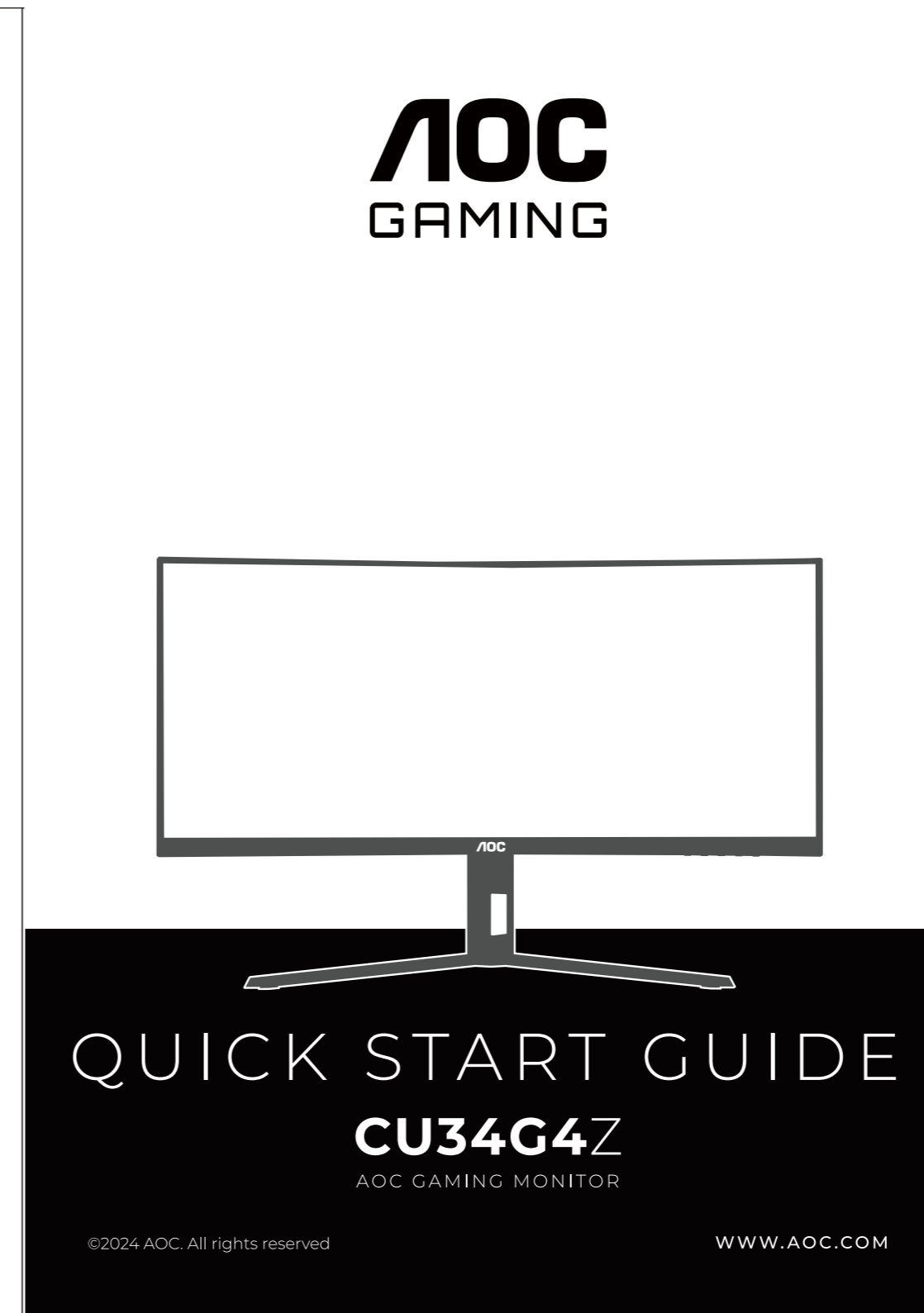
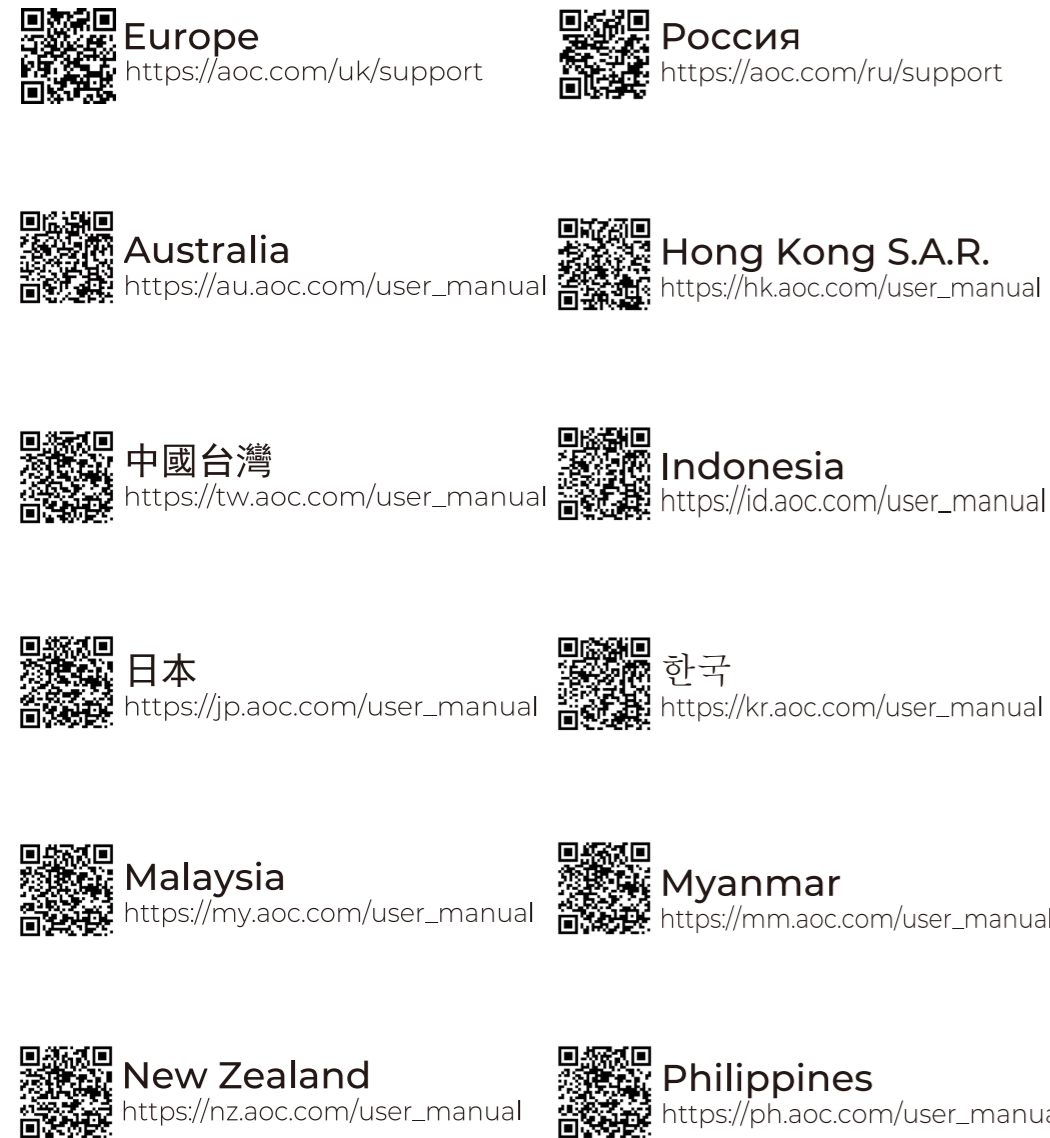
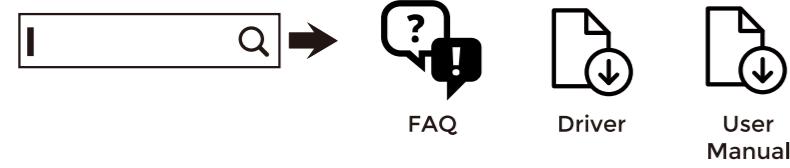
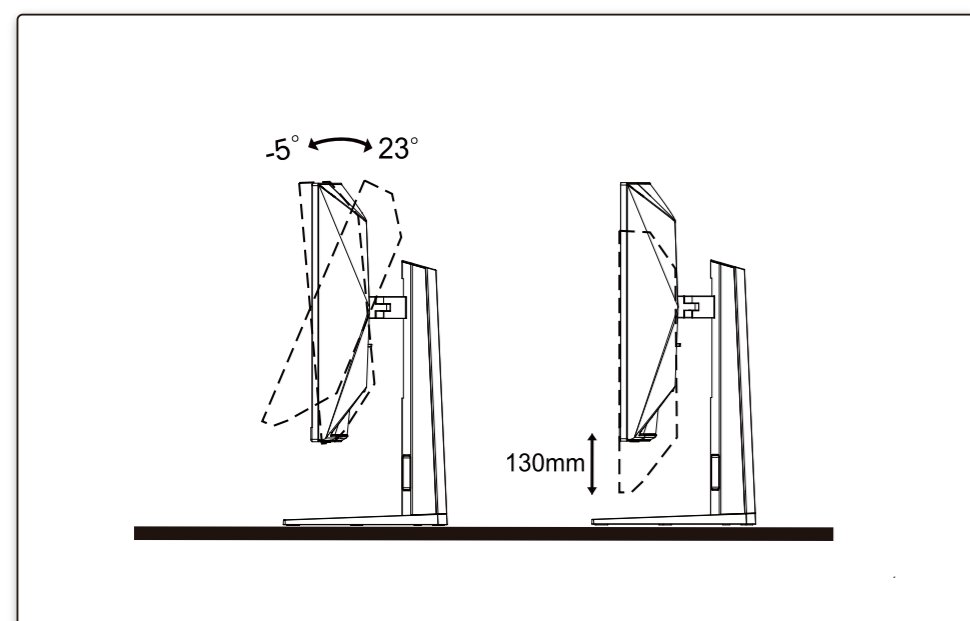
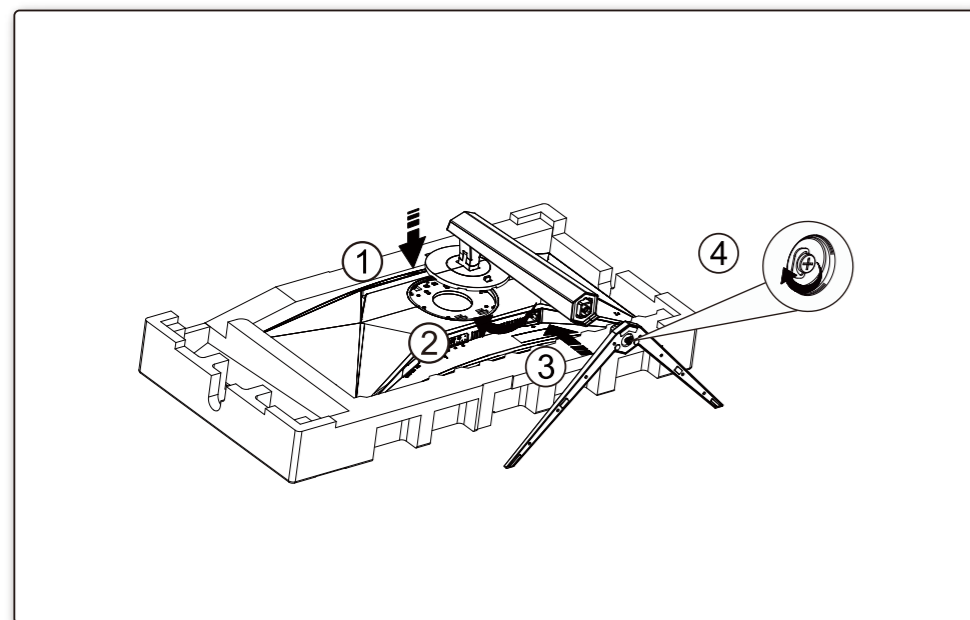


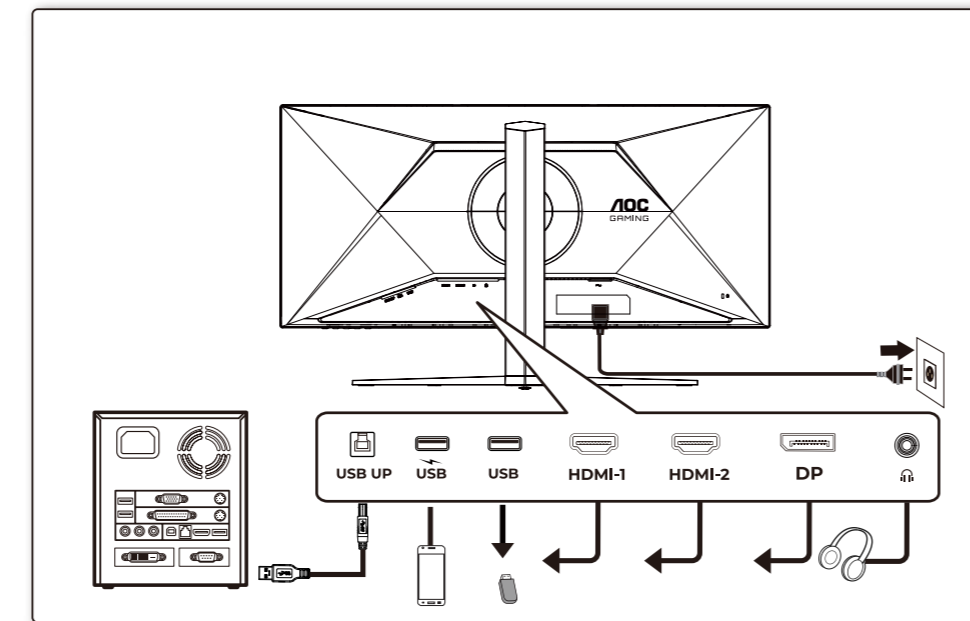
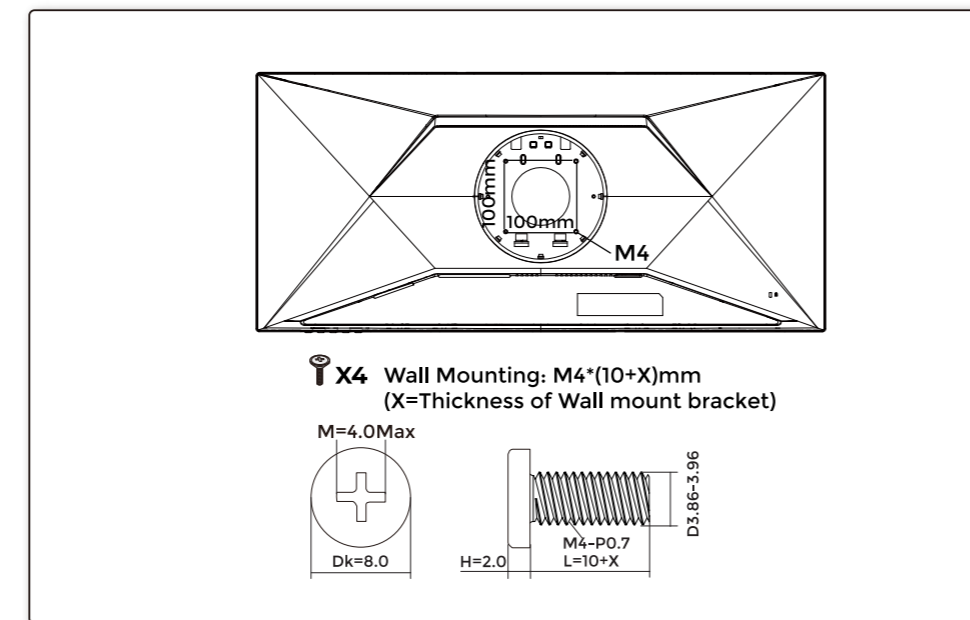
## Find your product and get support



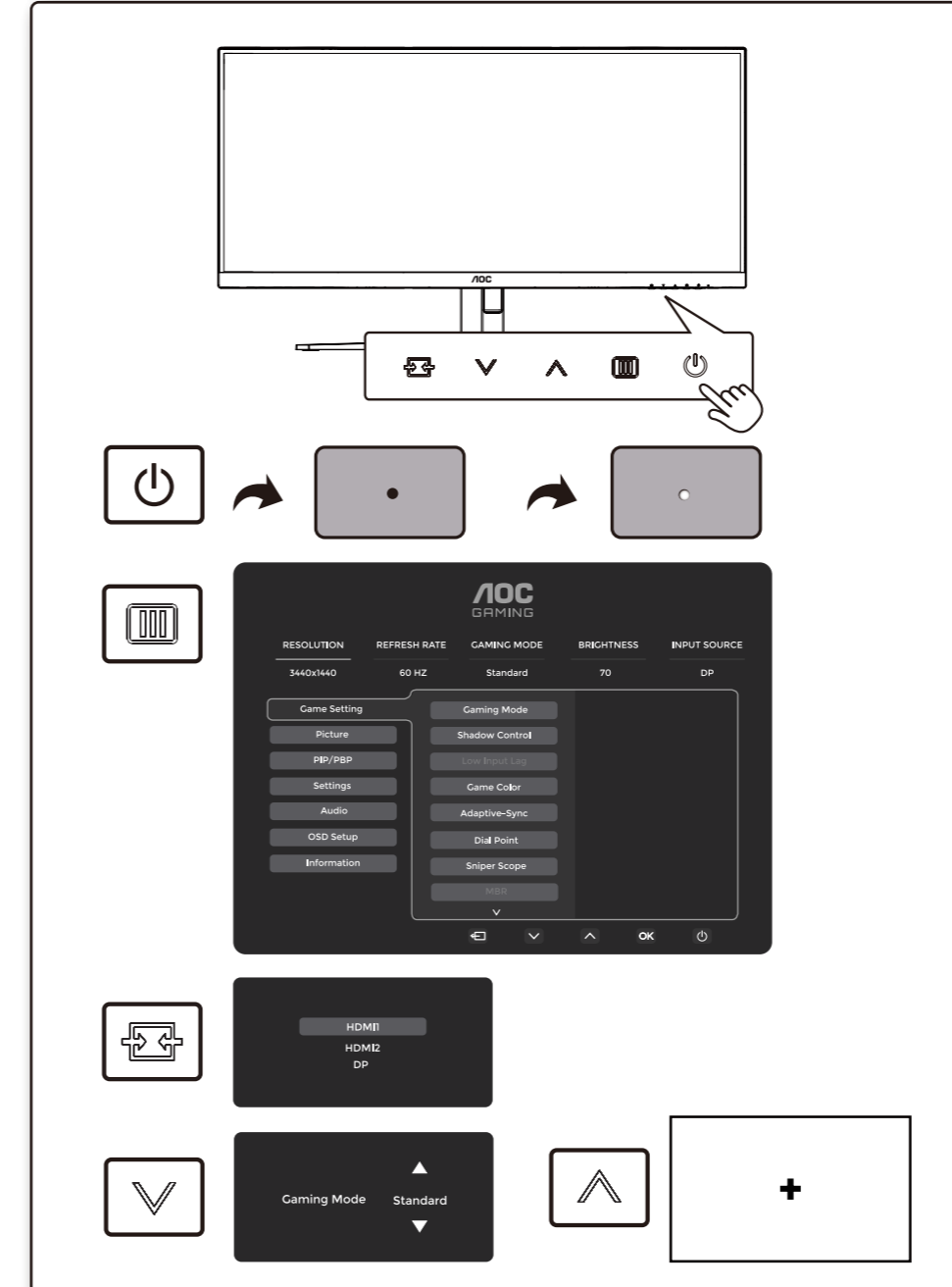
1



2



3



4

### General Specification

Panel	Model Name	CU34G4Z	
	Driving System	TFT Color LCD	
	Viewable Image Size	86.4cm Diagonal(34" Wide Screen)	
	Pixel Pitch	0.23175mm(H) x 0.23175mm(V)	
Others	Horizontal Scan Range	30k~360kHz	
	Horizontal Scan Size(Maximum)	797.22mm	
	Vertical Scan Range	48~240Hz	
	Vertical Scan Size(Maximum)	333.72mm	
	Max Resolution	3440x1440@240Hz	
	Plug & Play	VESA DDC2B/CI	
	Power Source	100-240V~ 50/60Hz 1.5A	
	Power Consumption	Typical(Default Brightness And Contrast)	43W
		Max. (Brightness = 100, Contrast =100)	≤95W
	Standby Mode		≤ 0.5W
Dimensions(with stand)		808.1x(435.7~534.7)x269.4mm (WxHxD)	
Net Weight	8.62kg		
	Connector Type	HDMIx2/DisplayPort/USBx2/USB UP/ Earphone out	
Physical Characteristics	Signal Cable Type	Detachable	
	Temperature	Operating	0°C~40°C
Non-Operating		-25°C~55°C	
Humidity	Operating	10%~85% (Non-Condensing)	
	Non-Operating	5%~93% (Non-Condensing)	
Altitude	Operating	0m~5000m (0ft~16404ft)	
	Non-Operating	0m~12192m (0ft~40000ft)	